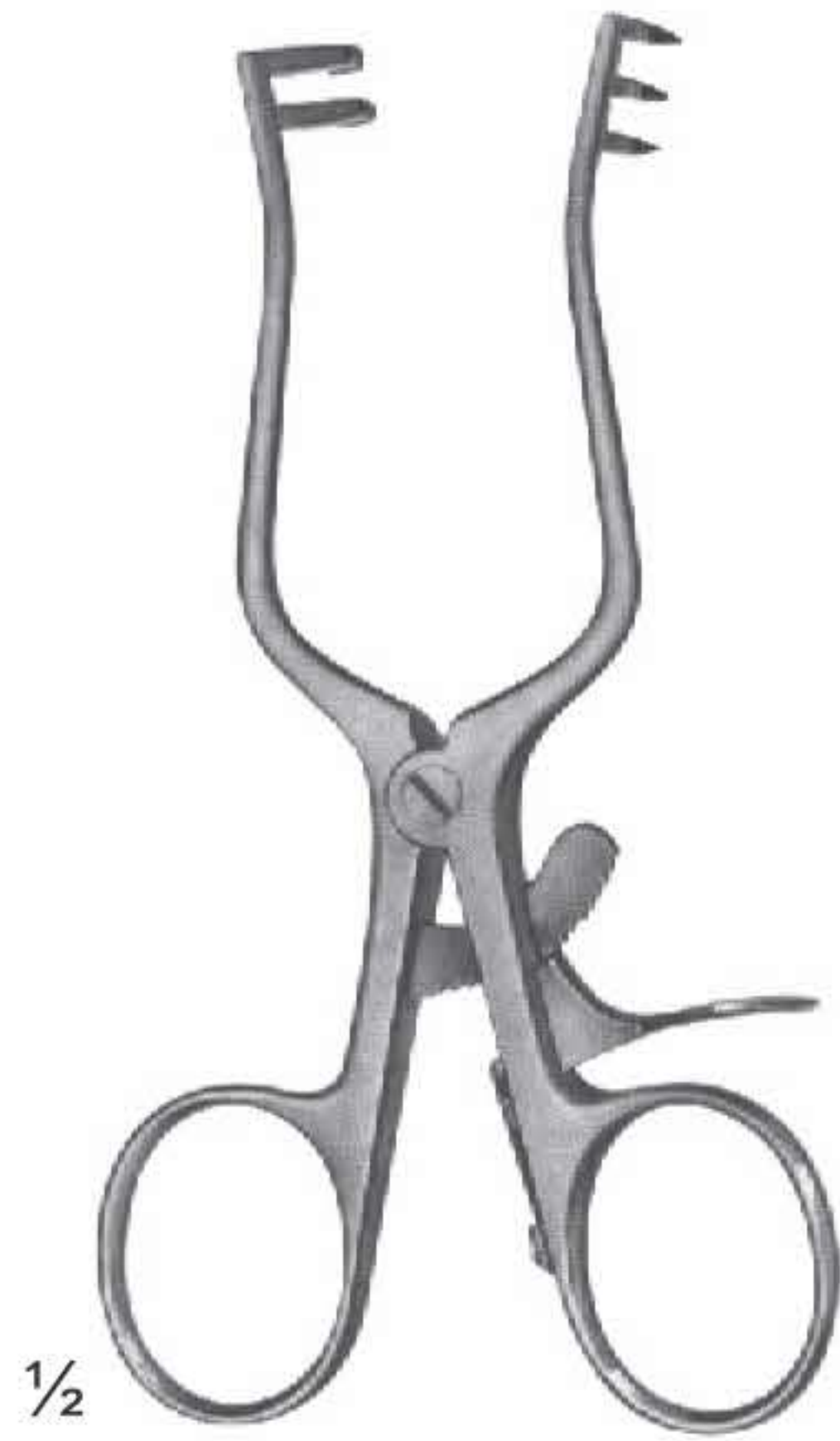




- *Self-Retaining Retractors*
- *Abdominal Retractors*

**Self-Retaining Retractors**



**ENT-24-001**  
 WEITLANER  
 Sharp  
 110 mm



**ENT-24-002**  
 WEITLANER  
 Semi-Sharp  
 110 mm



**ENT-24-003**  
 WEITLANER  
 Blunt  
 110 mm



**ENT-24-004**  
 WEITLANER  
 Sharp  
 130 mm

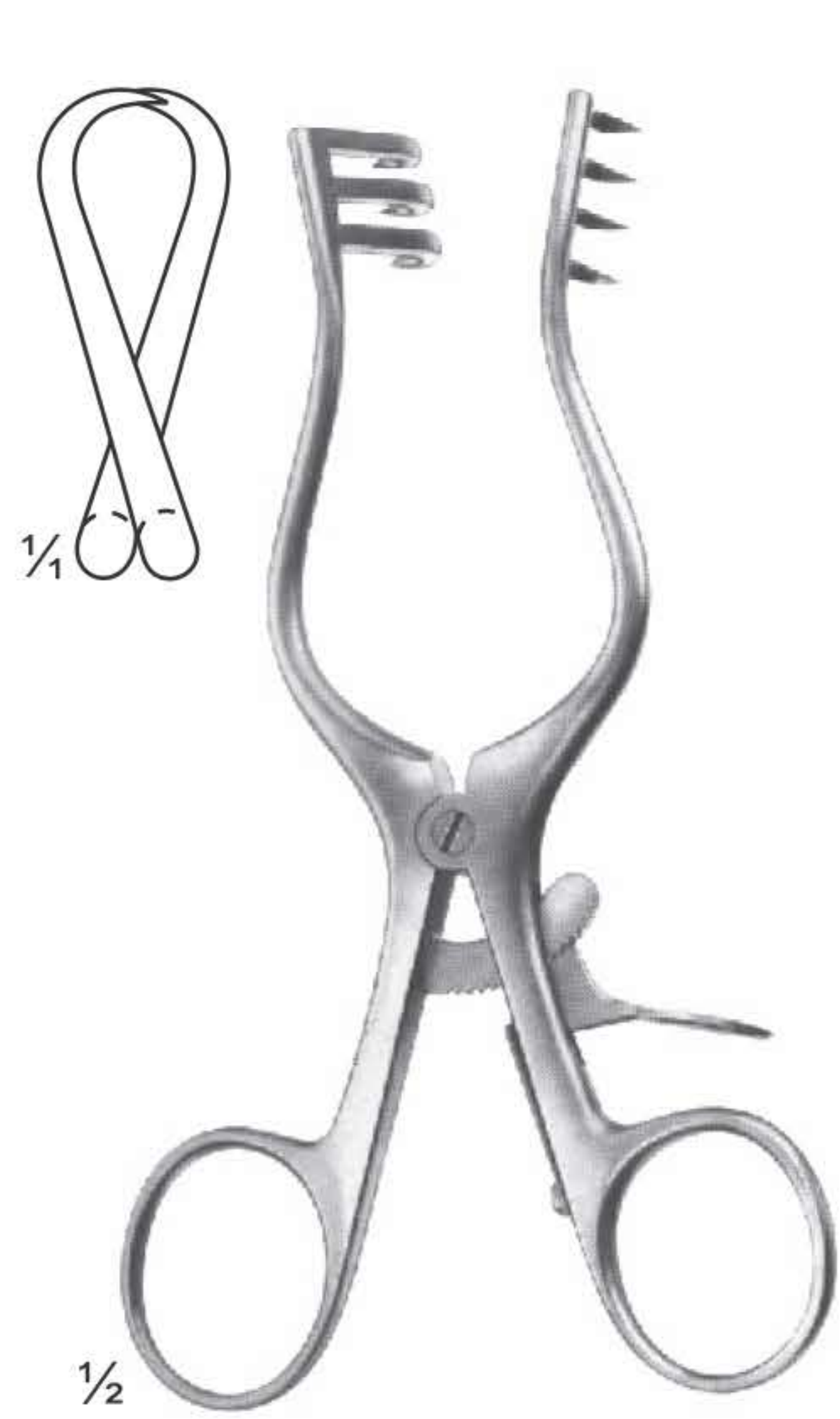


**ENT-24-005**  
 WEITLANER  
 Semi-Sharp  
 130 mm

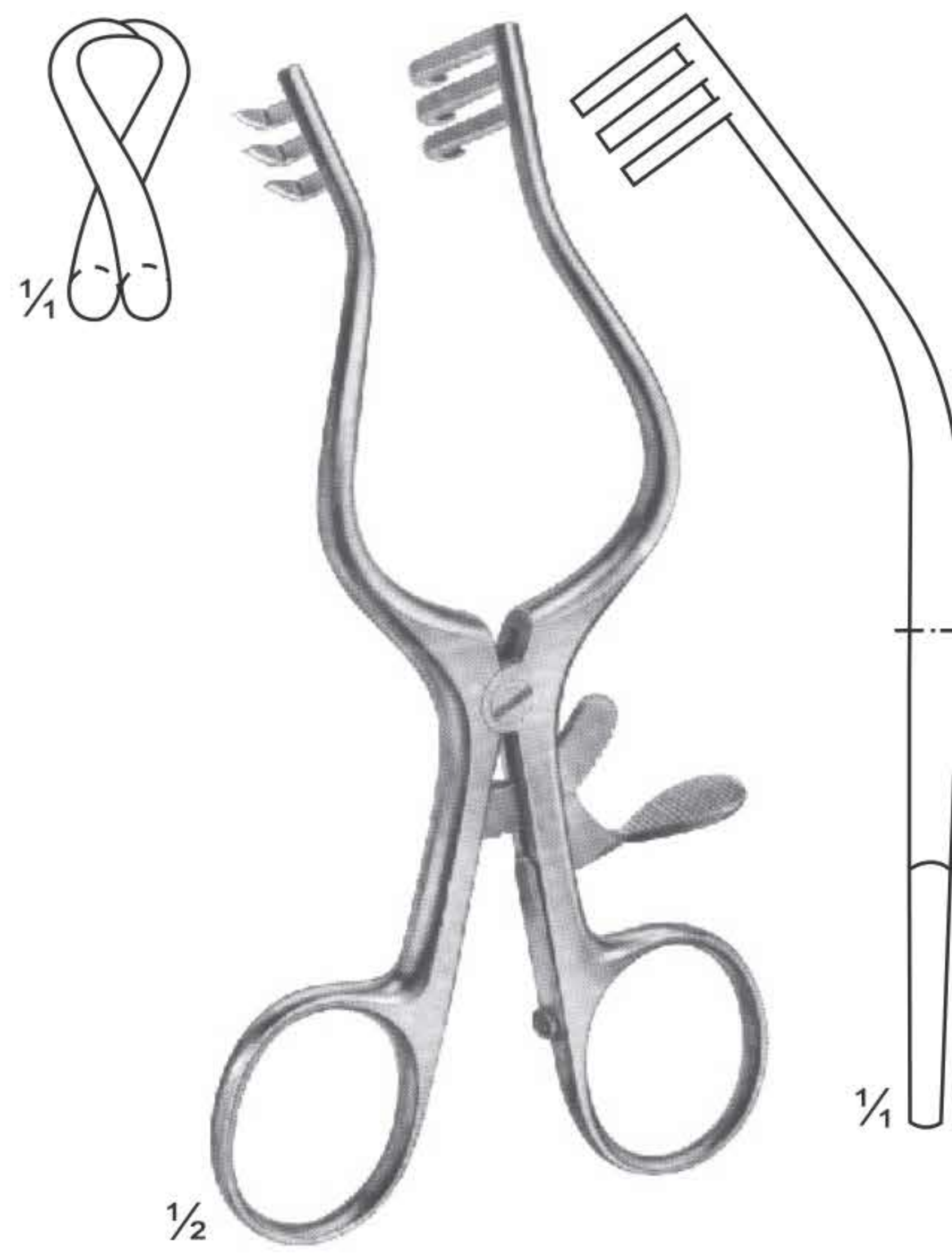


**ENT-24-006**  
 WEITLANER  
 Blunt  
 130 mm

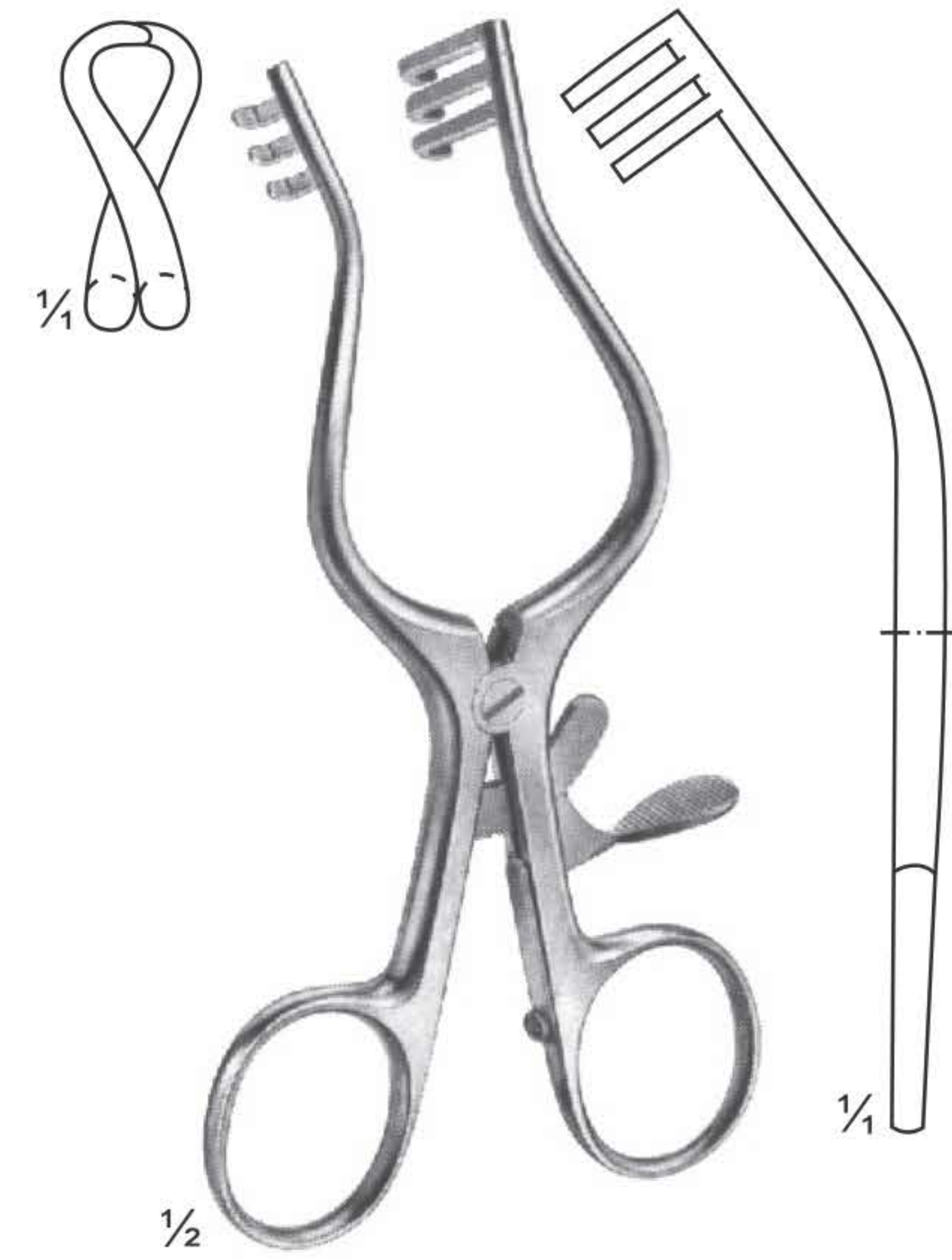
**Self-Retaining Retractors**



**ENT-24-007**  
**WEITLANER**  
 Sharp  
 130 mm



**ENT-24-008**  
**WULLSTEIN**  
 Sharp  
 130 mm



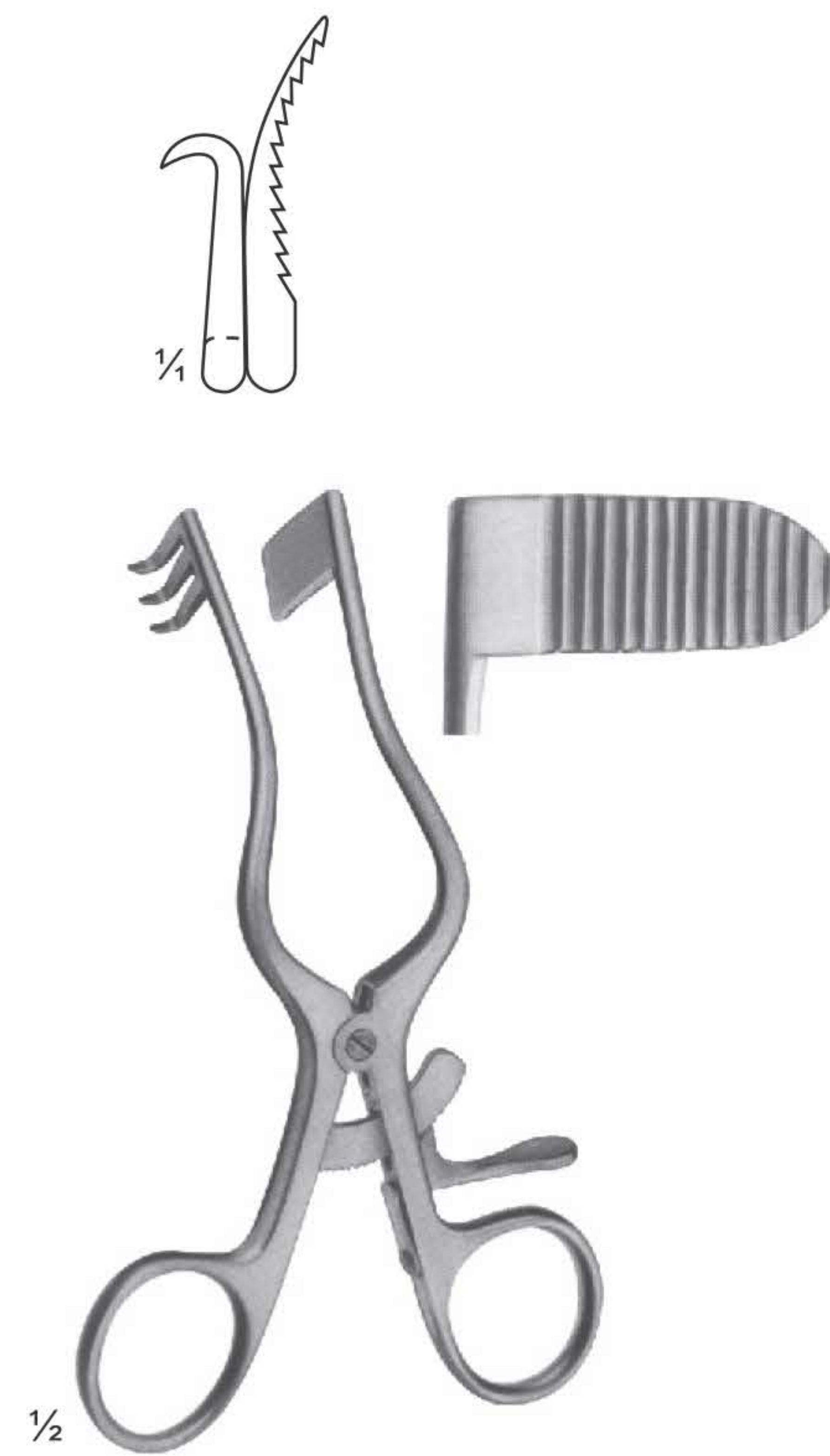
**ENT-24-009**  
**WULLSTEIN**  
 Blunt  
 130 mm



**ENT-24-010**  
**WEITLANER**  
 Sharp  
 165 mm

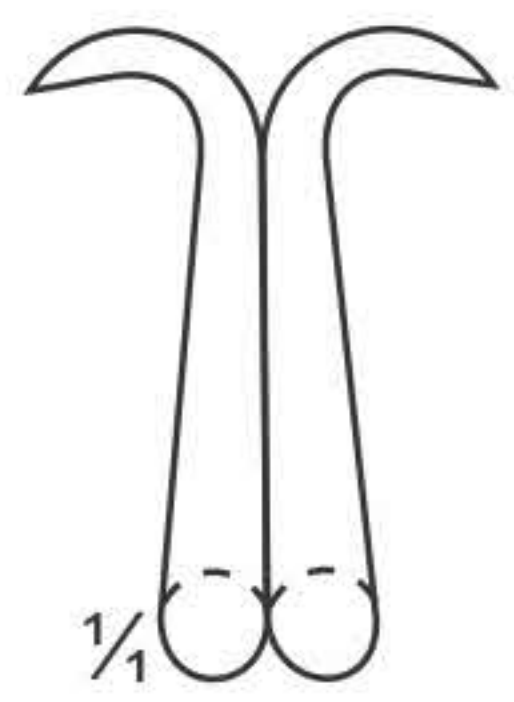


**ENT-24-011**  
**PLESTER**  
 Blunt  
 110 mm

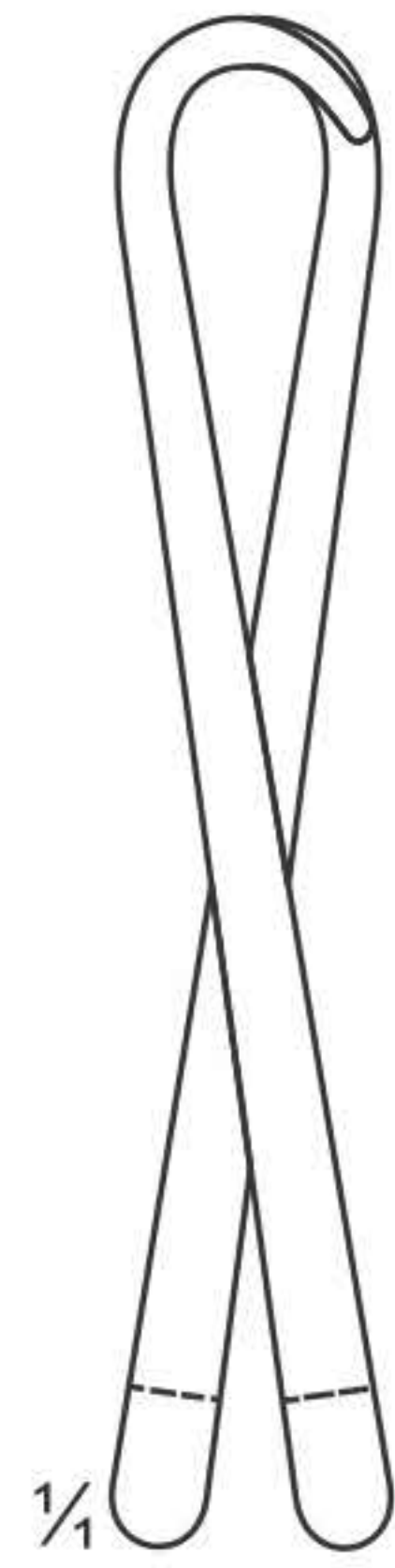


**ENT-24-012**  
**PERKINS**  
 130 mm

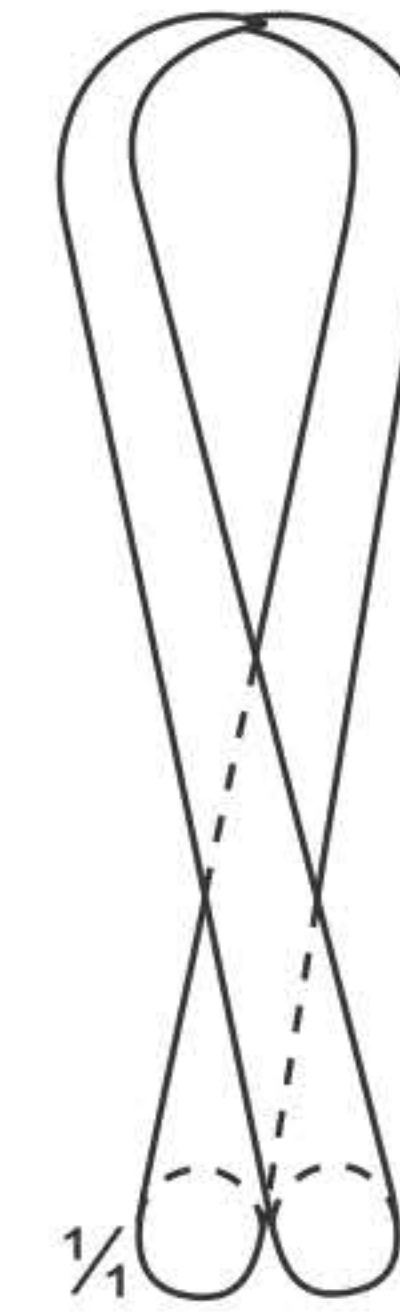
**Self-Retaining Retractors**



**ENT-24-016**  
 ANDERSON-ADSON  
 Sharp  
 190 mm



**ENT-24-017**  
 NORFOLK and  
 NORWICH  
 Blunt  
 220 mm

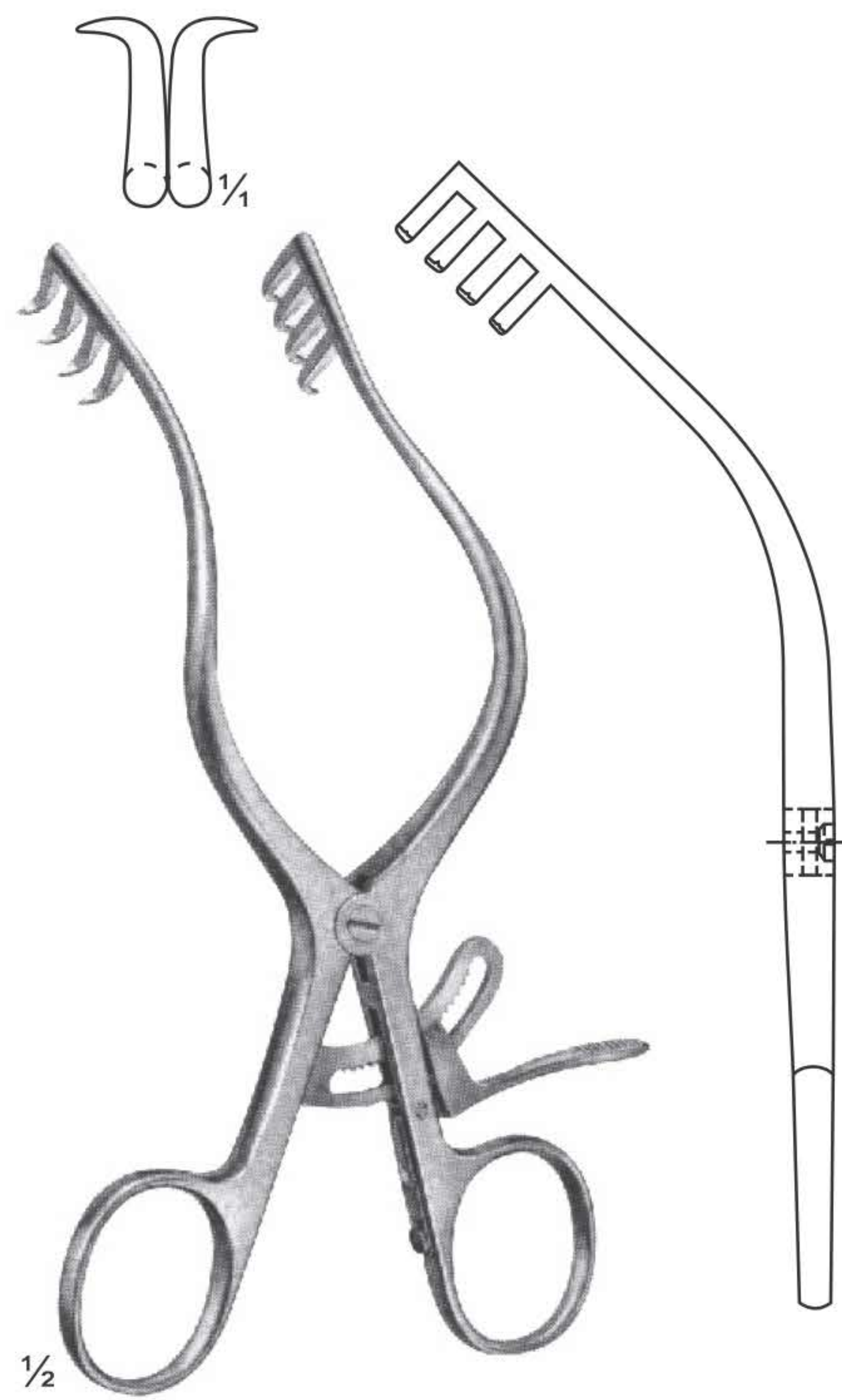


**ENT-24-018**  
 ADSON  
 Sharp  
 265 mm

**Self-Retaining Retractors**



**ENT-24-013**  
**ADSON-BABY**  
 Blunt  
 140 mm

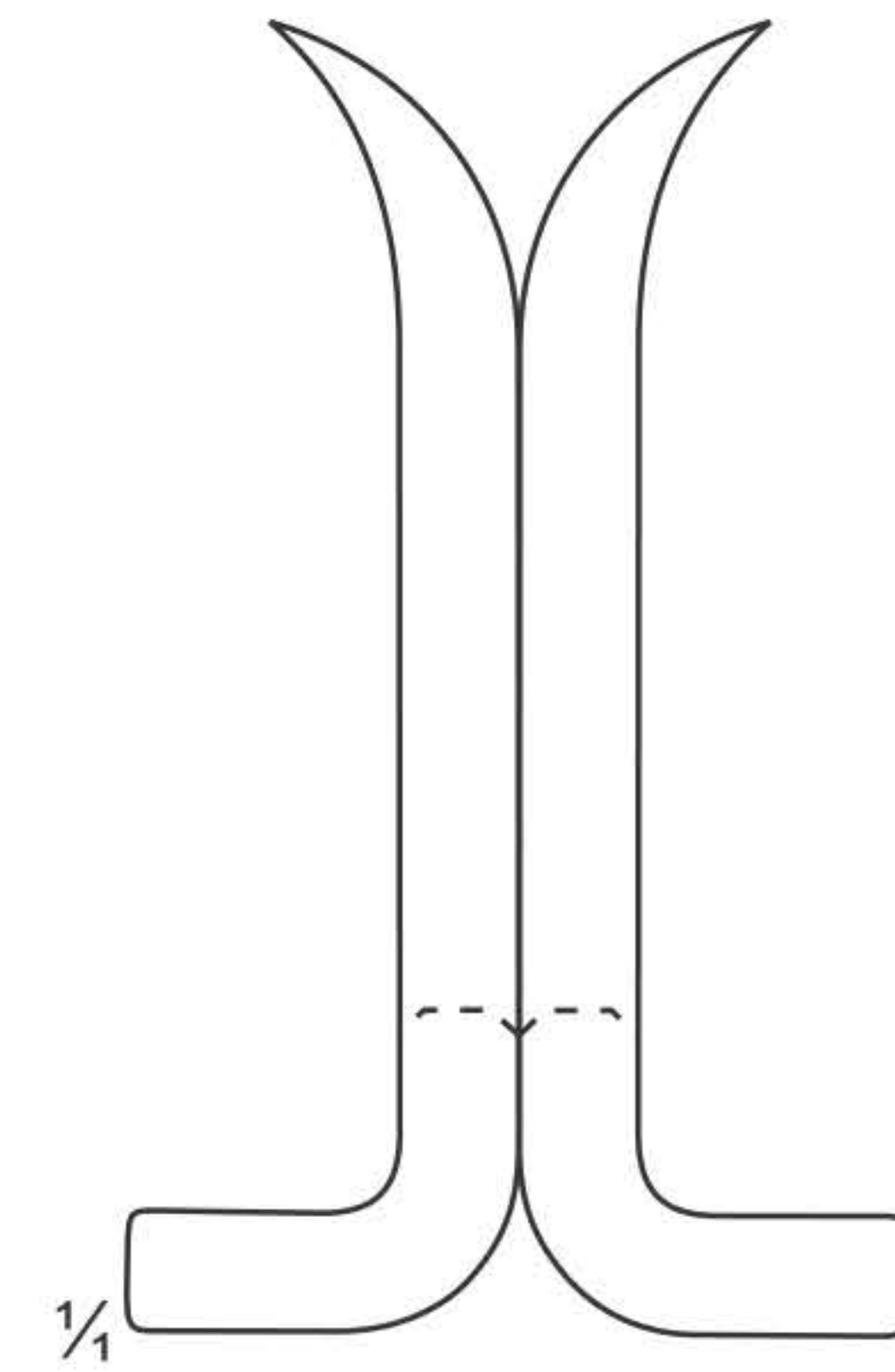
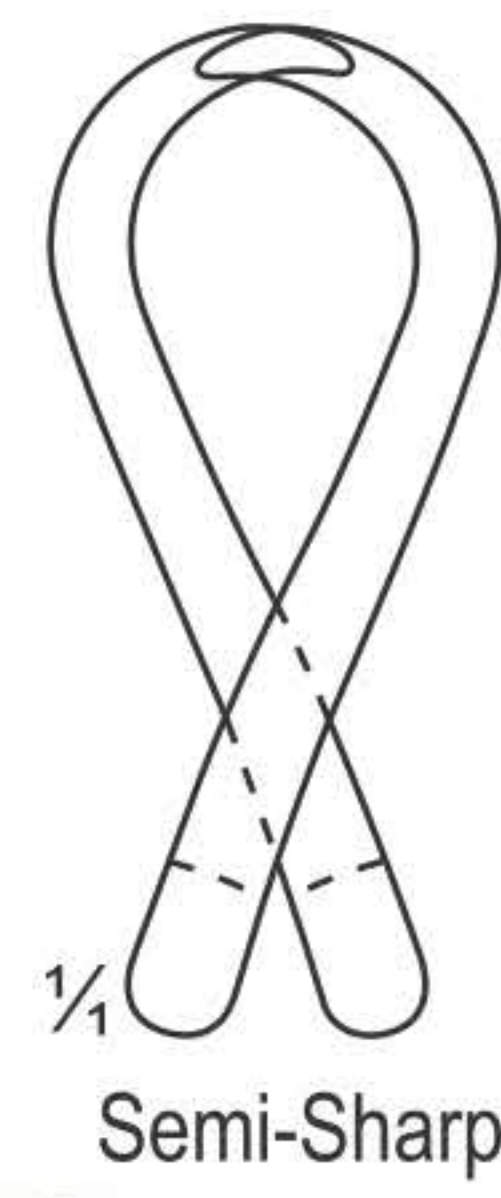
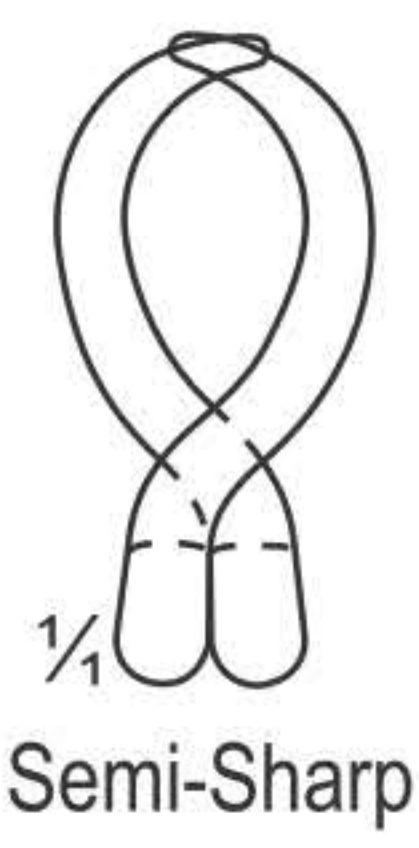
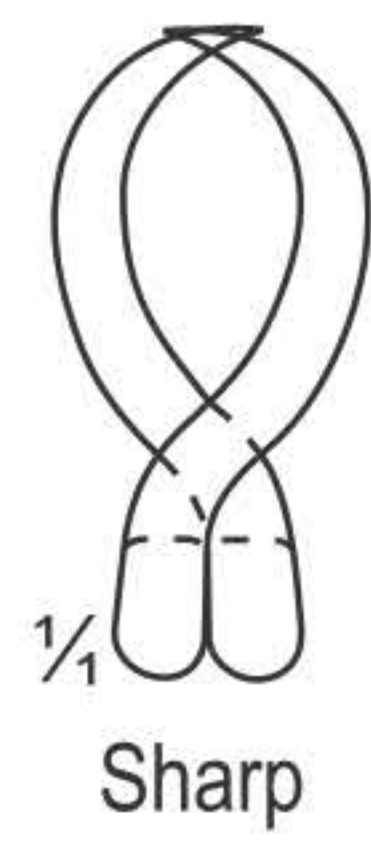


**ENT-24-014**  
**MOLLISON**  
 Sharp  
 155 mm



**ENT-24-015**  
**MAYO-ADAMS**  
 165 mm

**Self-Retaining Retractors**



1/2  
**ENT-24-019**  
 BECKMANN-ADSON  
 Sharp  
 310 mm



**ENT-24-019A**  
 BECKMANN-ADSON  
 Semi-Sharp  
 310 mm

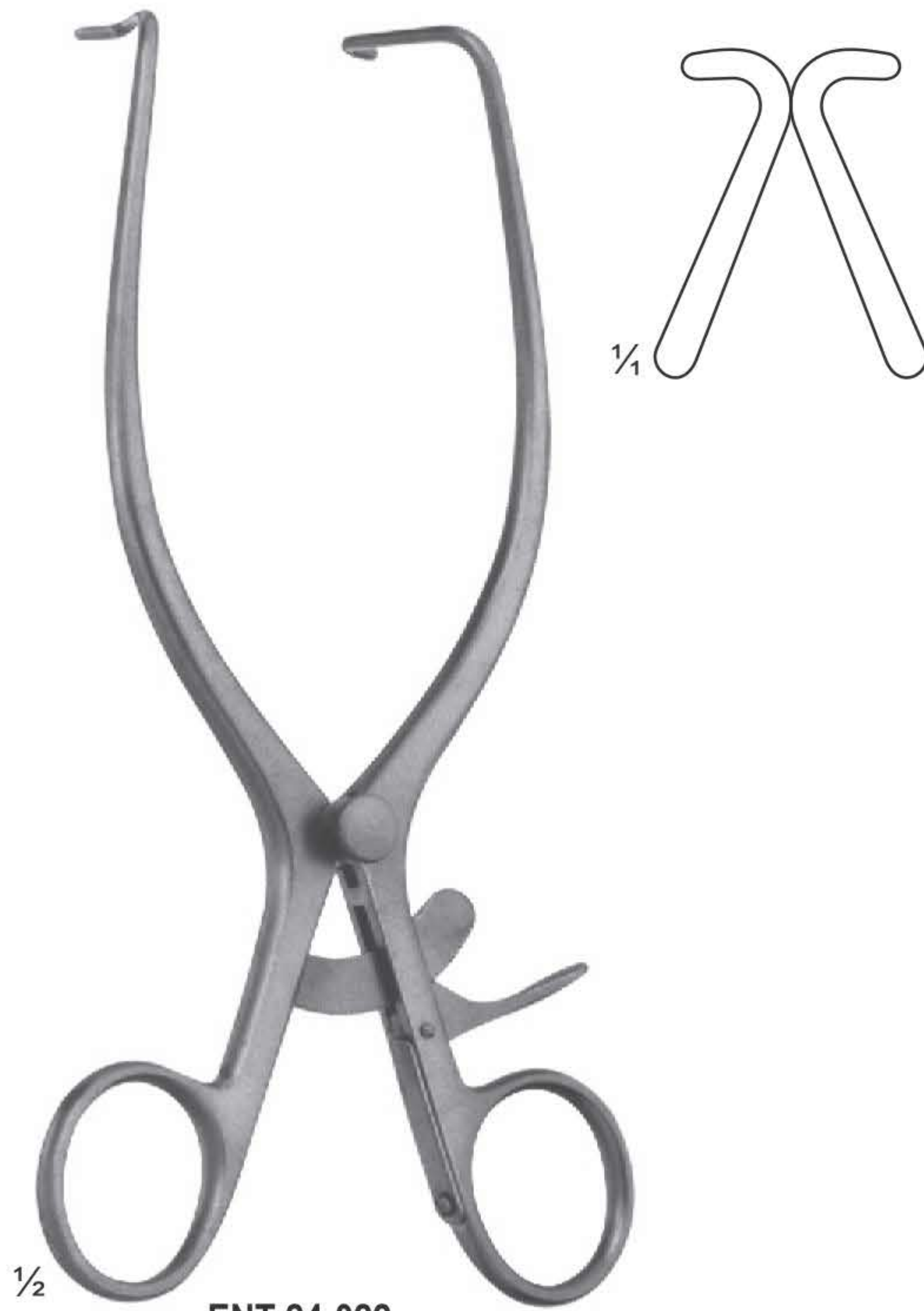


1/2  
**ENT-24-020**  
 ADSON  
 Semi-Sharp  
 320 mm



1/2  
**ENT-24-021**  
 BECKMANN-EATON  
 Sharp  
 320 mm

**Self-Retaining Retractors**



**ENT-24-022**  
 JACKSON BURROWS  
 Retractor, blunt  
 185 mm



**ENT-24-023**  
 GELPI  
 Vaginal Retractor  
 135 mm



**ENT-24-024**  
 GELPI  
 Skin- and Vaginal Retractor  
 175 mm

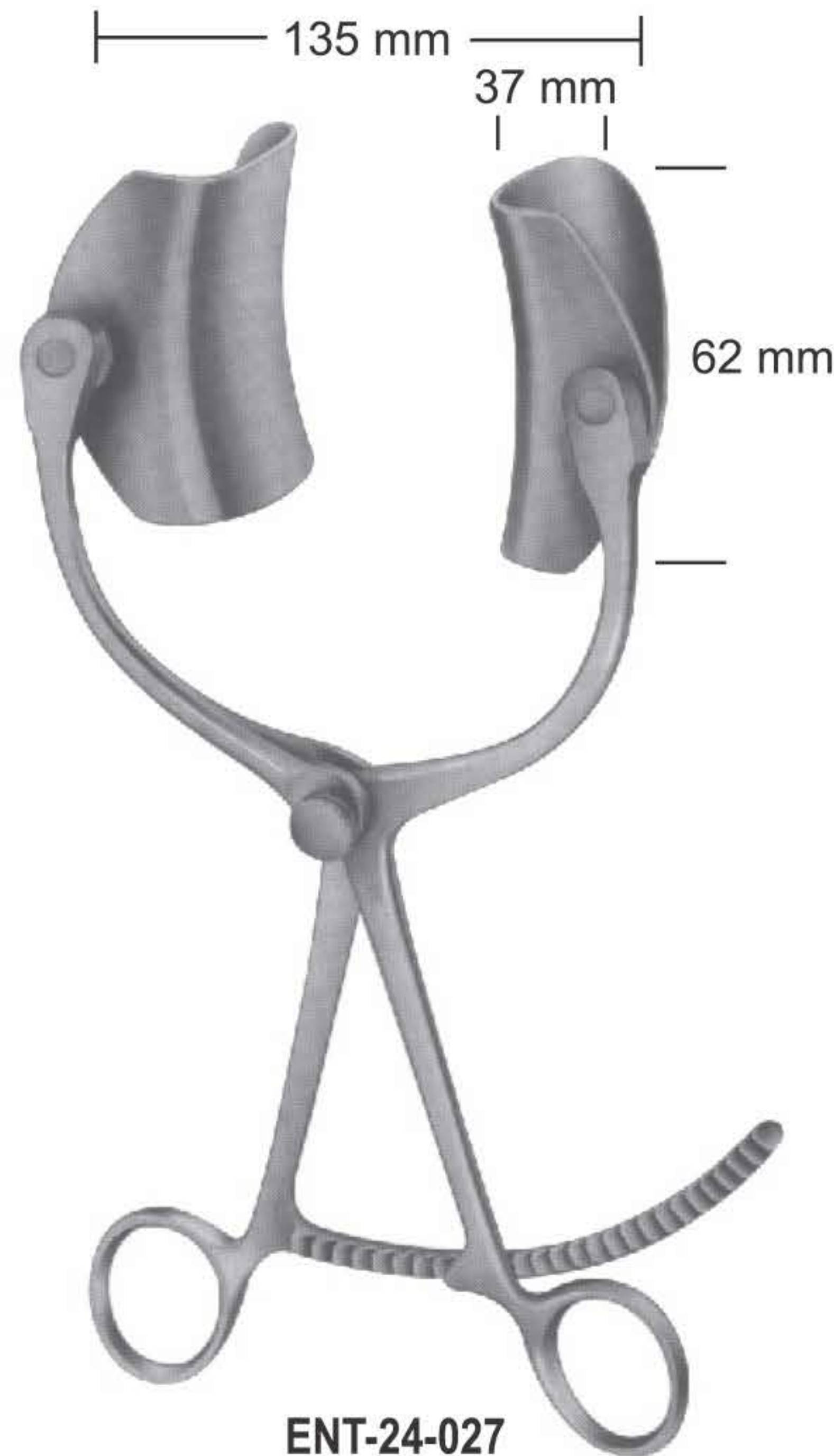


**ENT-24-025**  
 DE BAKEY  
 Femur Retractor  
 145 mm

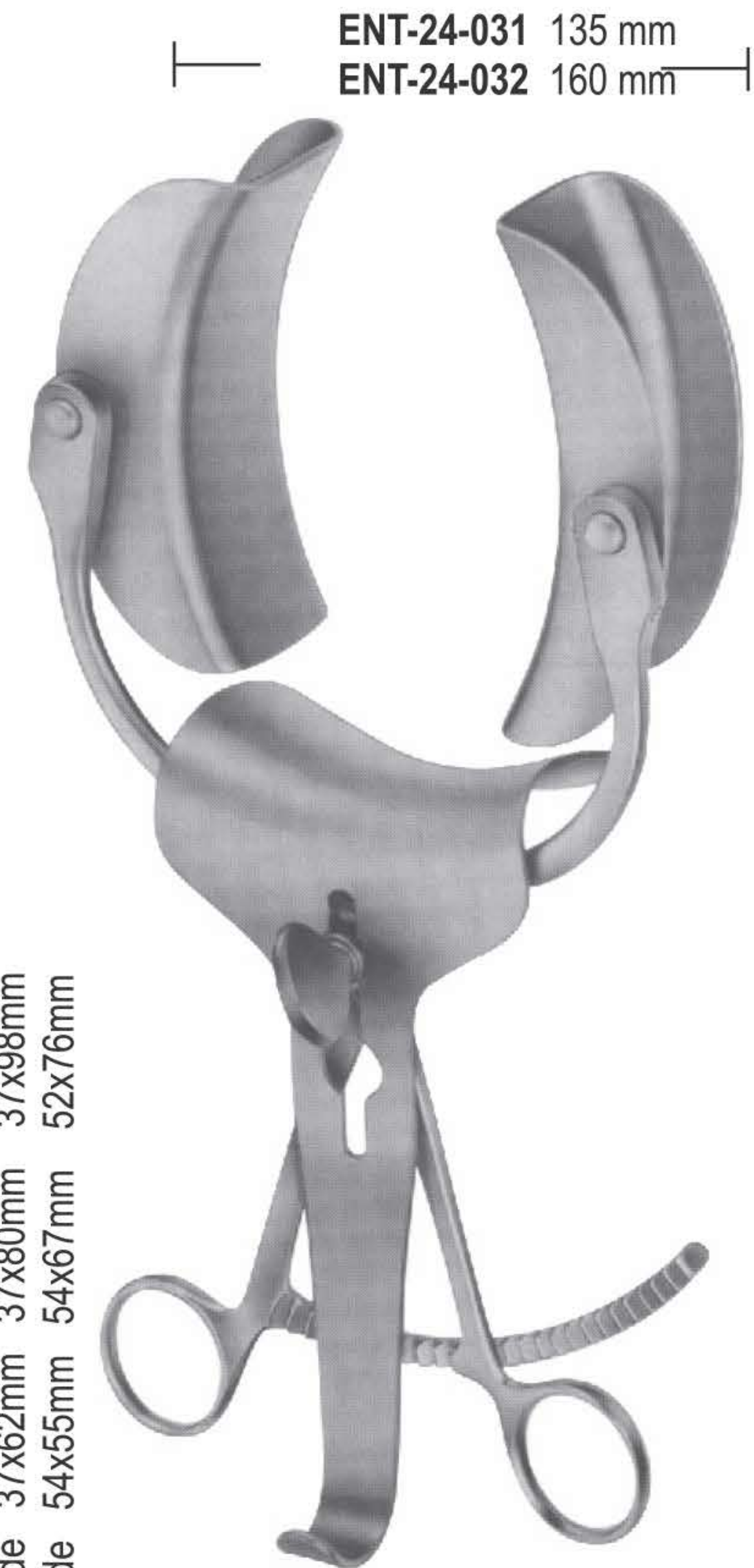
## Self-Retaining Retractors



**ENT-24-026**  
 BABY-COLLIN  
 with 2 pair of blades



**ENT-24-027**  
 COLLIN  
 complete



**ENT-24-028 - ENT-24-032**  
 COLLIN  
 complete



**ENT-24-033 - ENT-24-034**  
 RICARD  
 complete

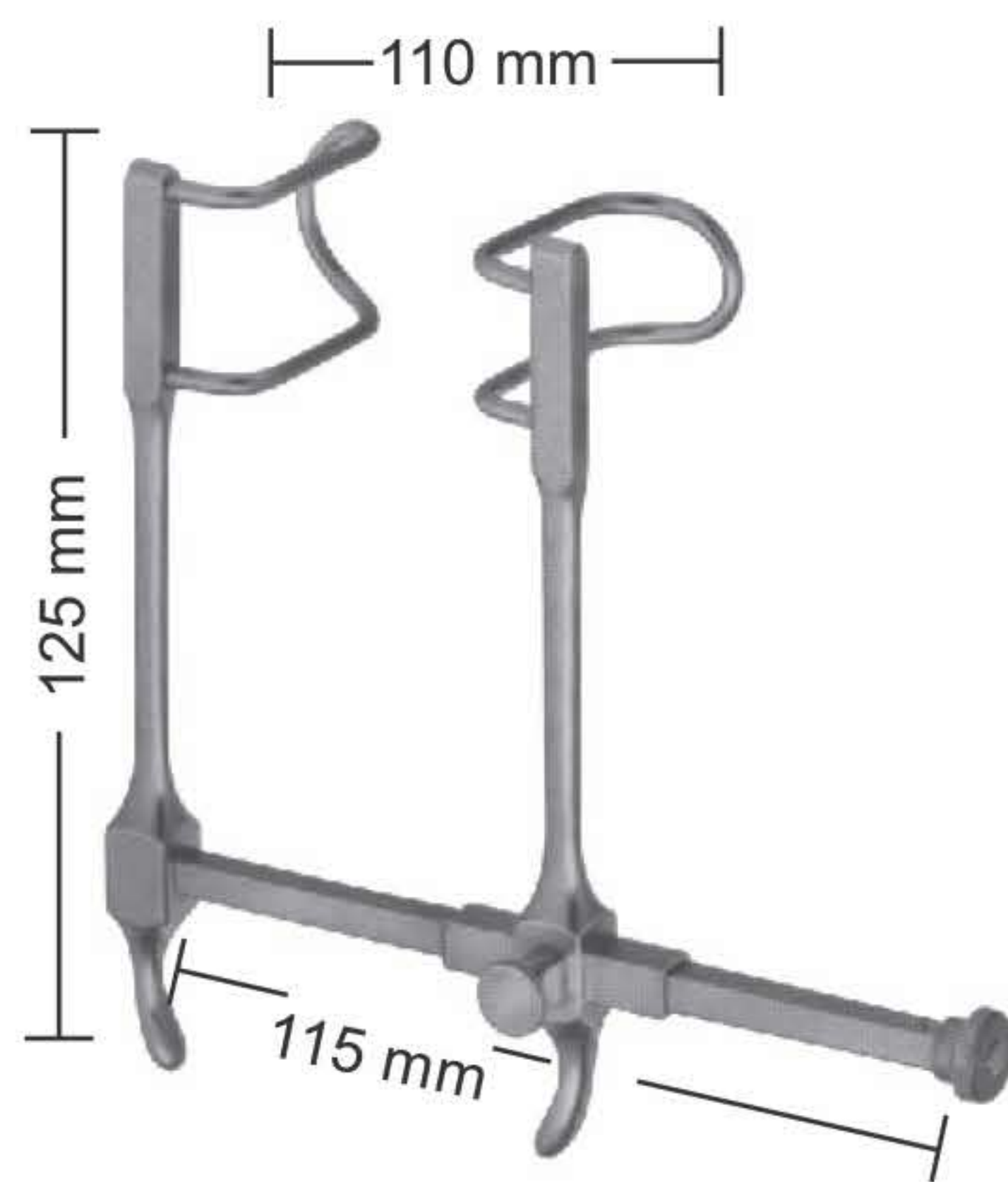
Spreader only **ENT-24-033** **ENT-24-034**  
 Lateral blade 58x80mm 72x84mm  
 Canter blade 54x70mm 72x90mm



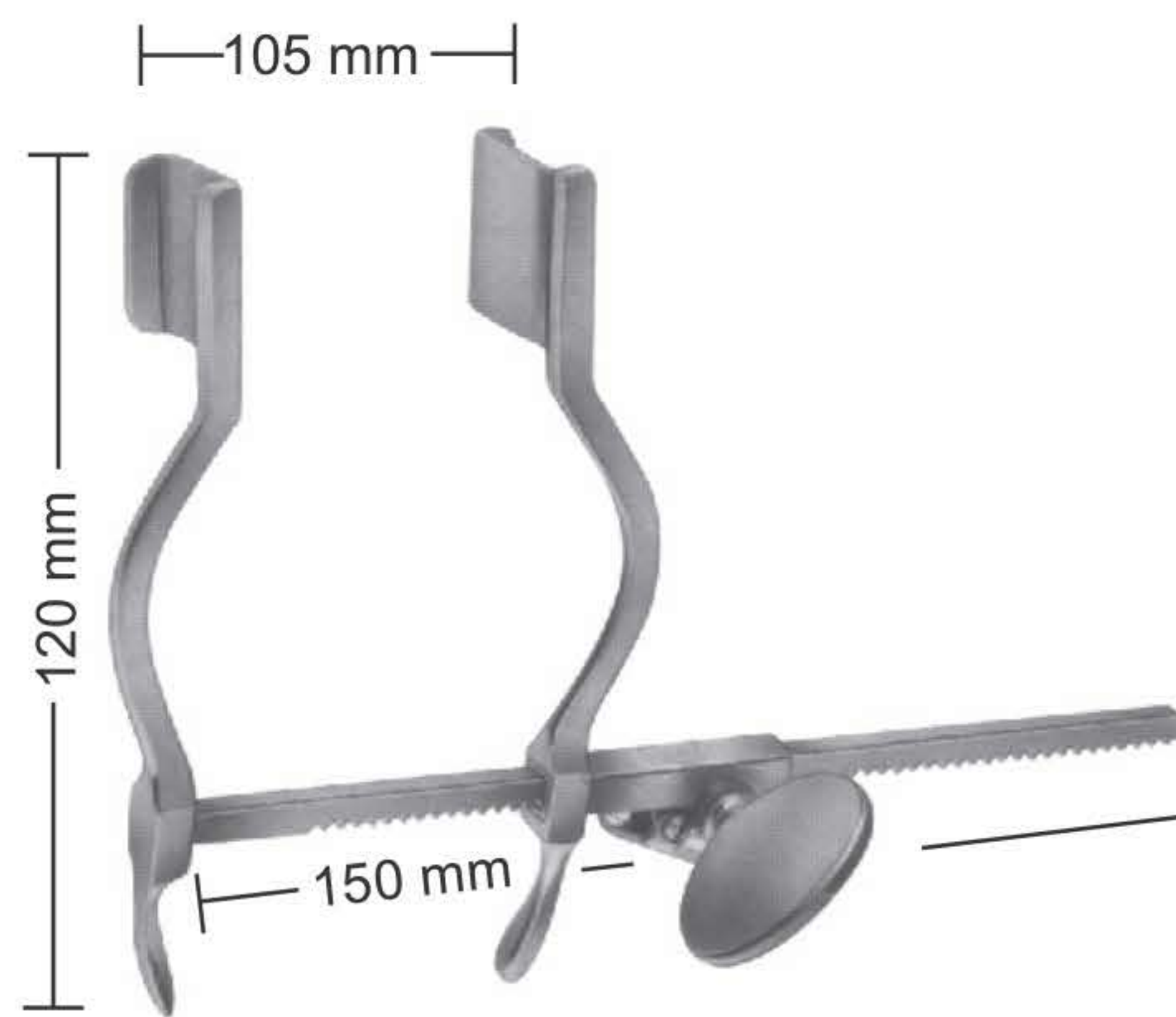
**ENT-24-035 - ENT-24-037**  
 HOLZBACH  
 Complete

**ENT-24-035** Spreader only  
**ENT-24-036** Lateral blade 59x80mm  
**ENT-24-037** Canter blade 74x82mm

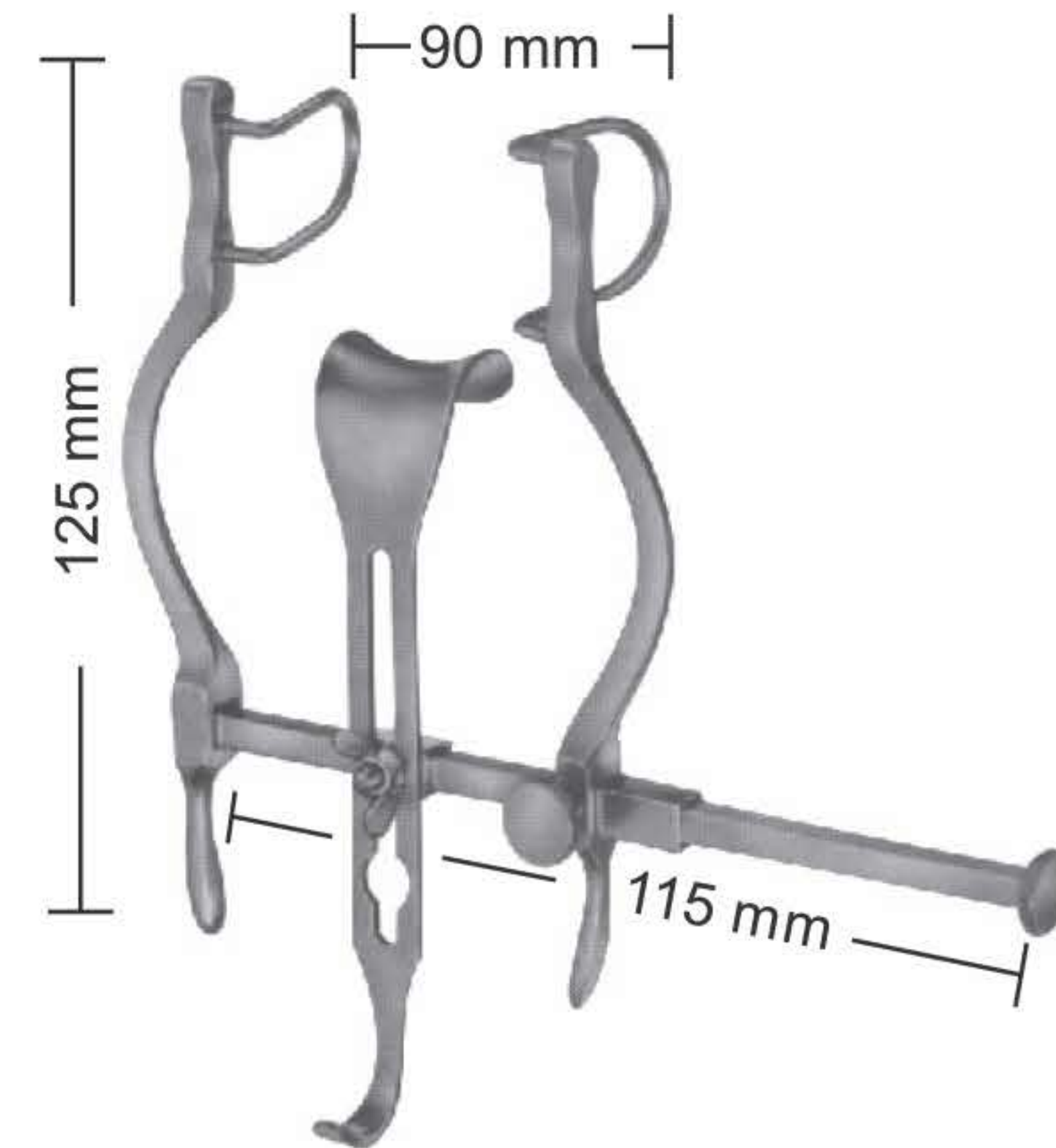
## Self-Retaining Retractors



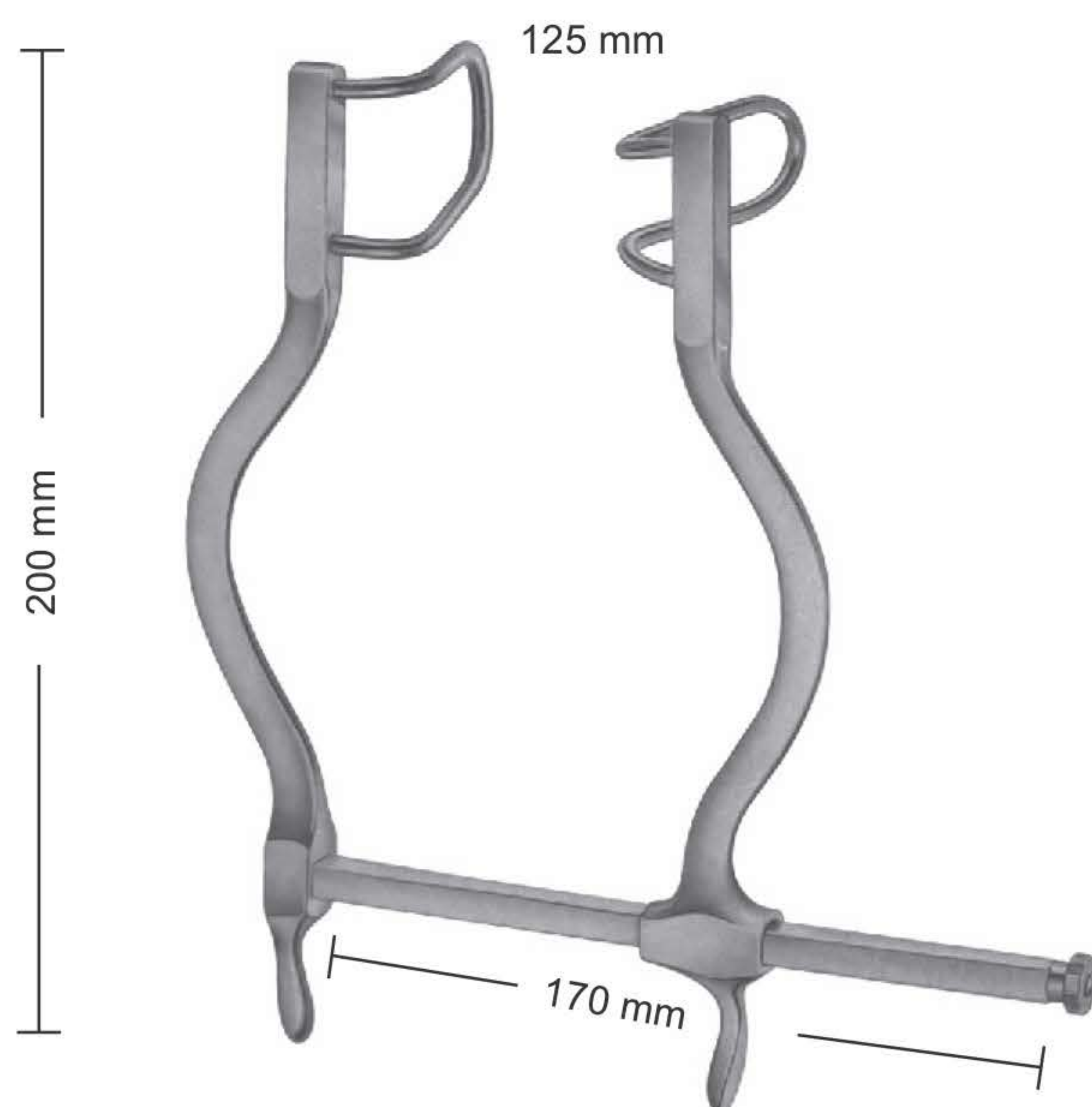
**ENT-24-038**  
 GOSSET  
 Blades:38 mm deep



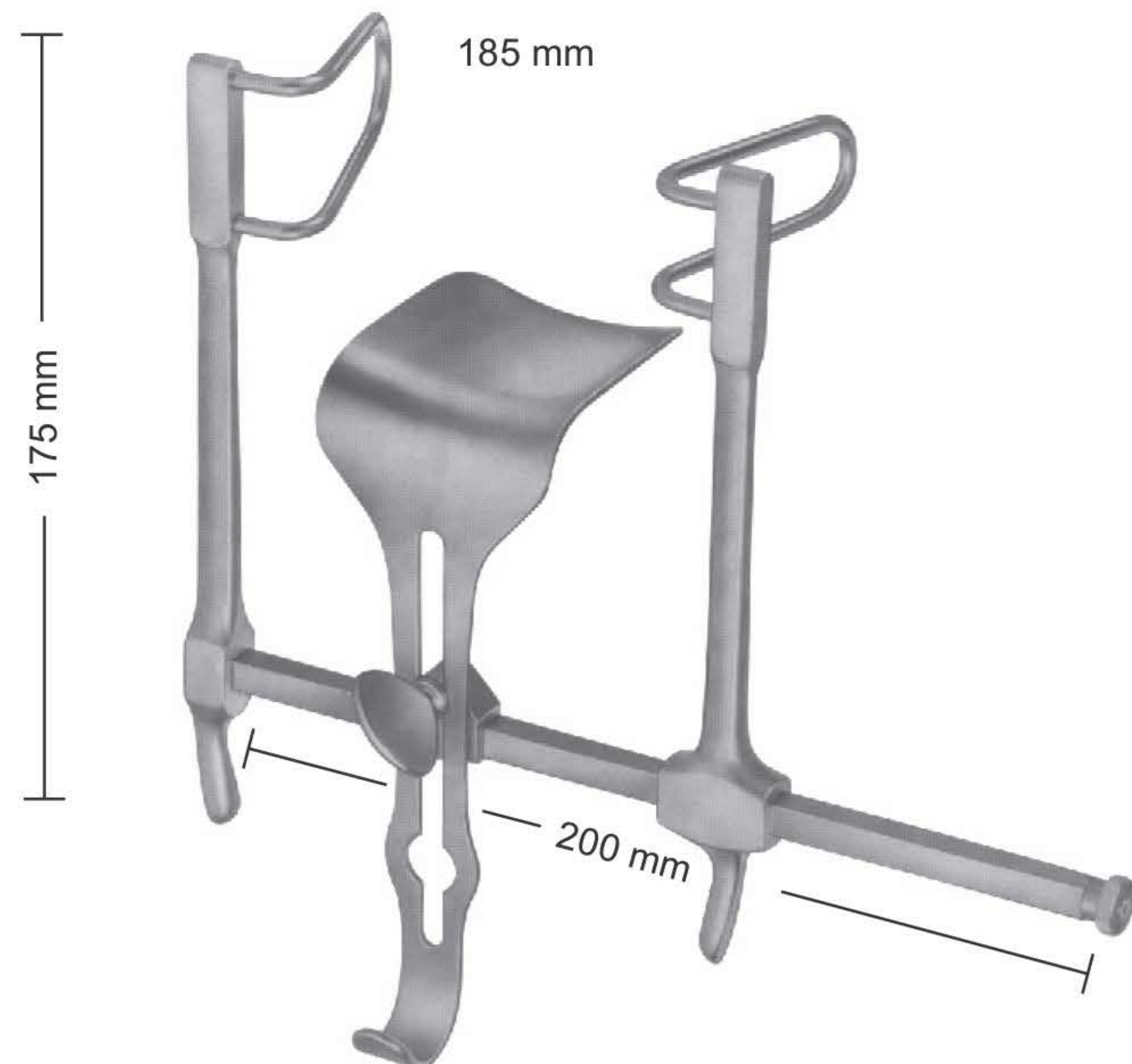
**ENT-24-039**  
 HERTZLER  
 Blades 20 X 25 mm



**ENT-24-040**  
 BALFOUR-BABY  
 Lateral blades 27 mm deep  
 Center blade 21x24 mm

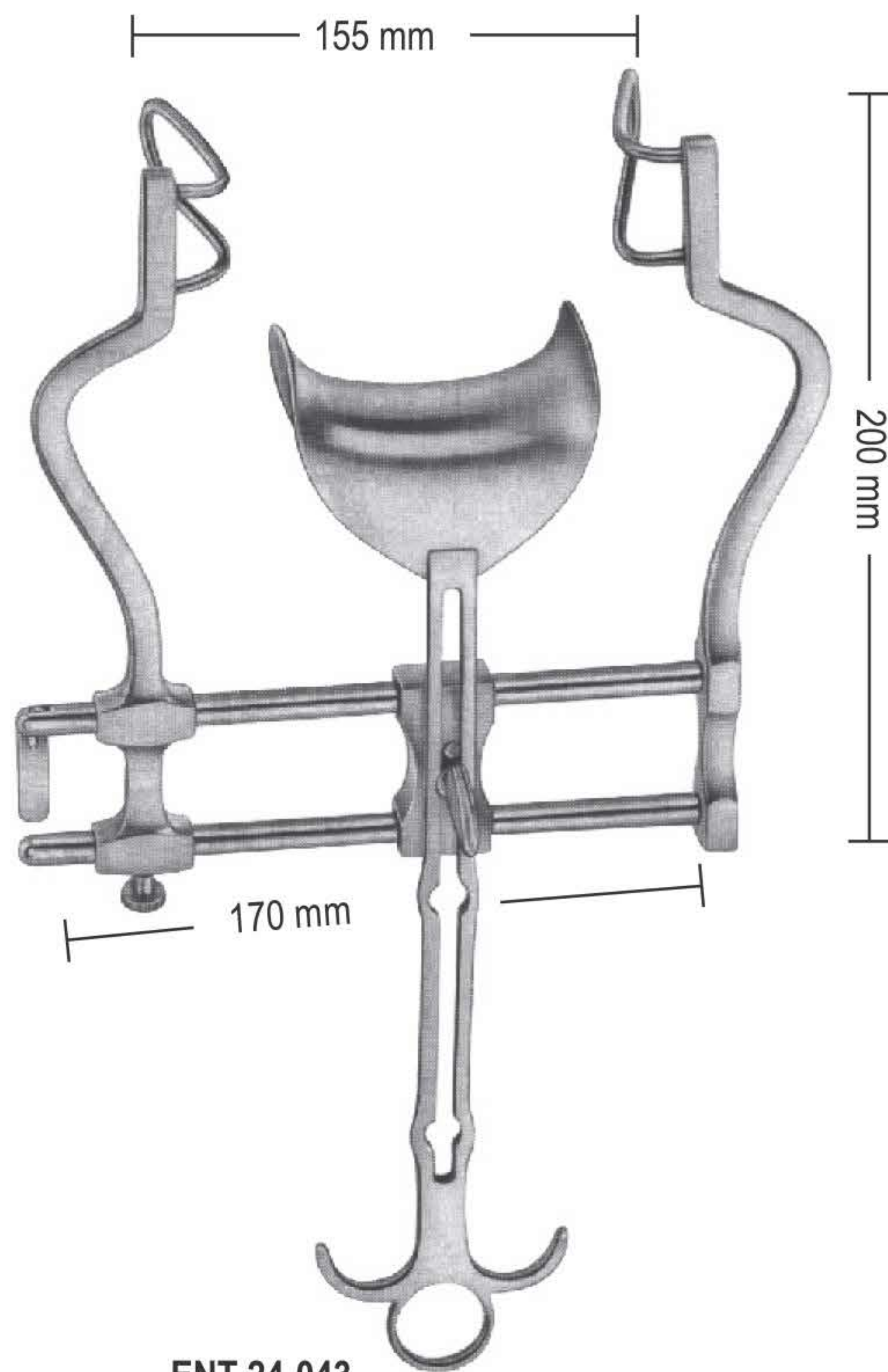


**ENT-24-041**  
 GOSSET  
 Blades:55mm deep

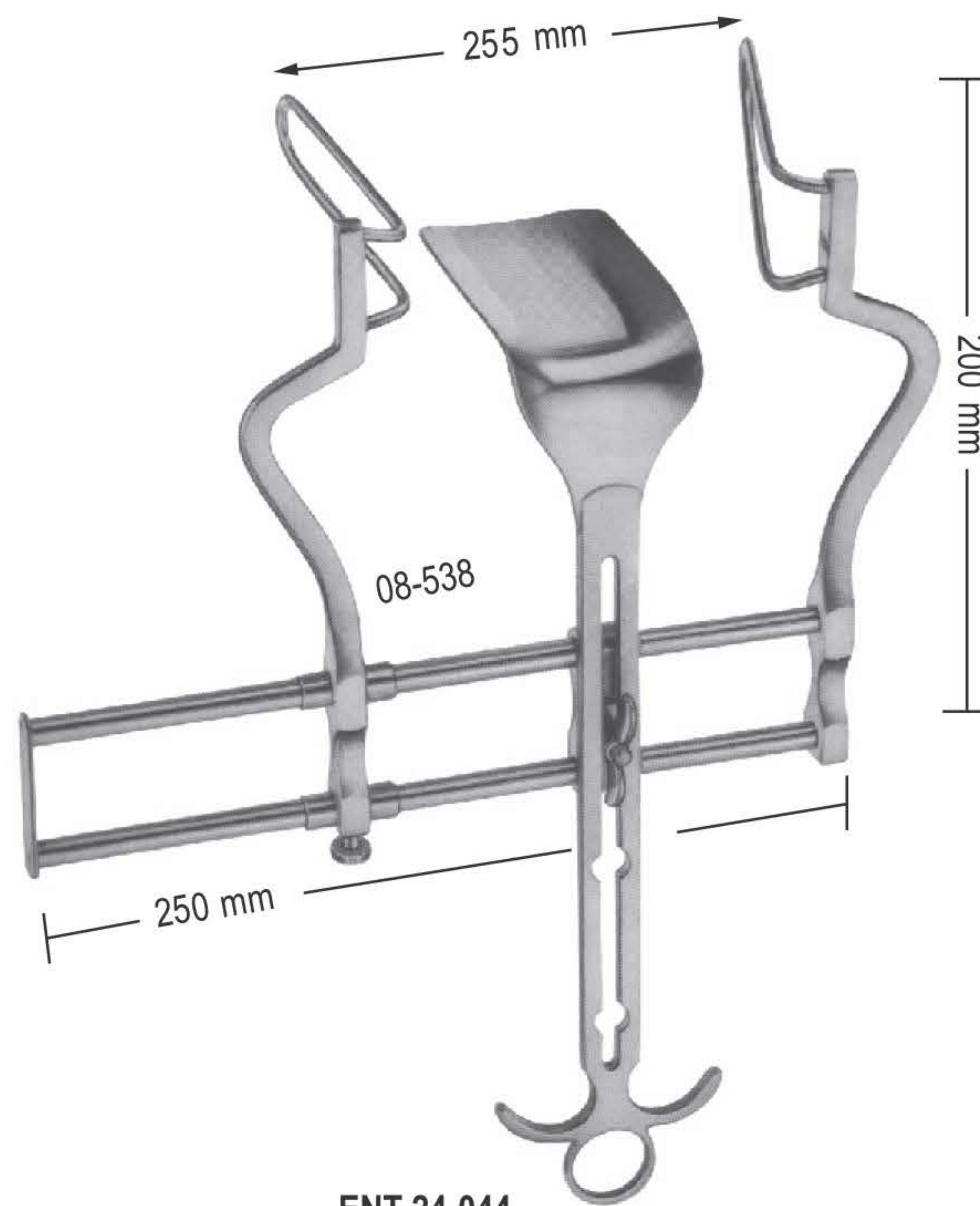


**ENT-24-042**  
 GOSSET  
 Lateral blades 58 mm deep  
 Center blade 59 x 57 mm

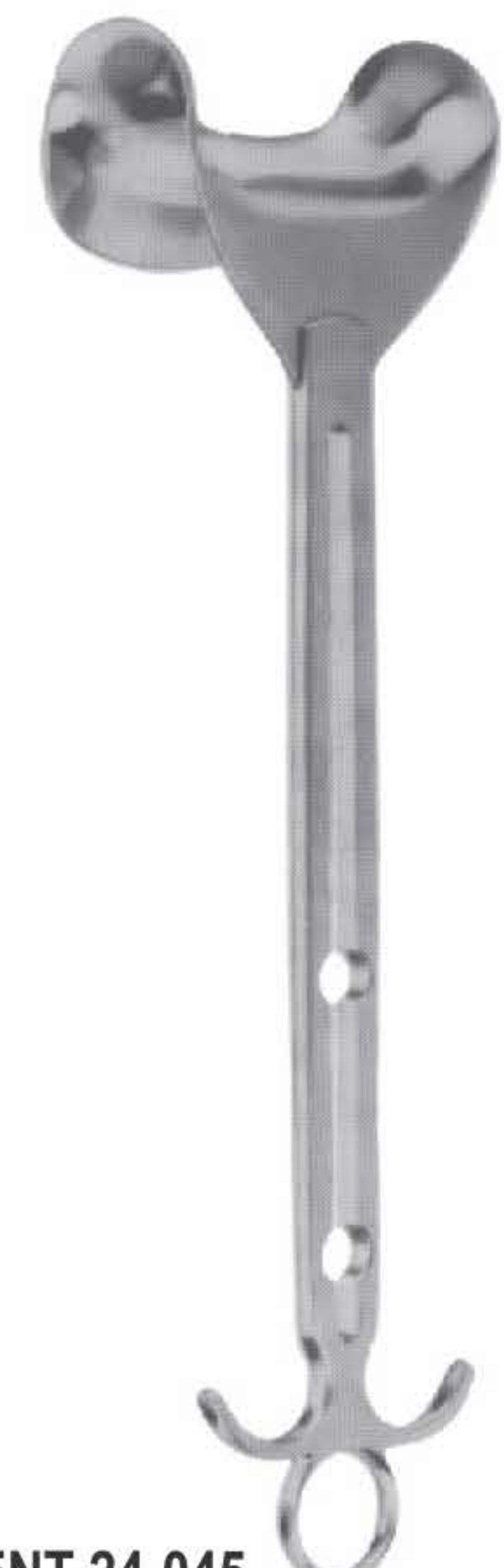
## Self-Retaining Retractors



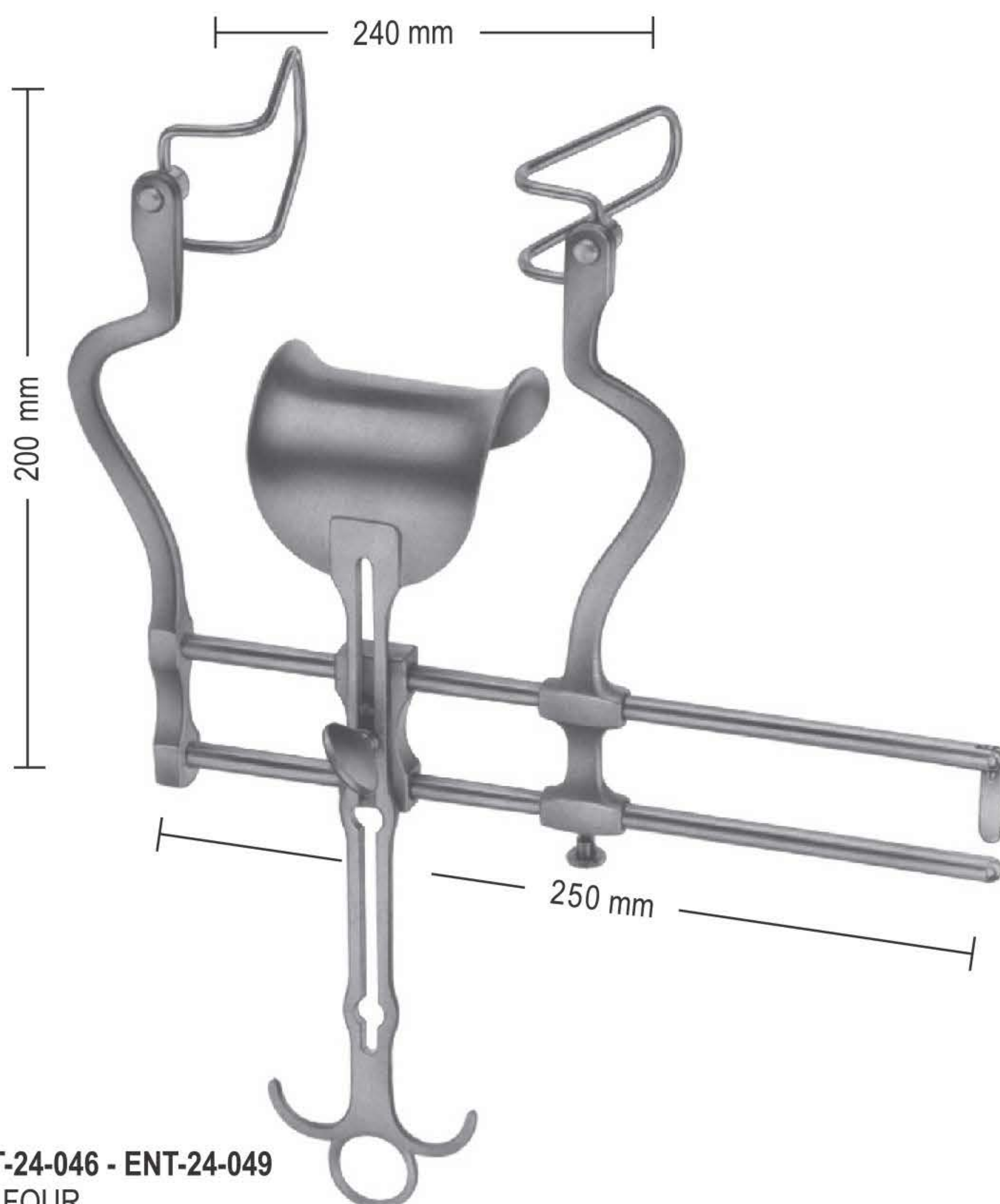
**ENT-24-043**  
 BALFOUR  
 Lateral blades 60 mm deep  
 Center blade 47 x 80 mm



**ENT-24-044**  
 BALFOUR  
 Lateral blades 105 mm deep  
 Center blade 107x 59 mm



**ENT-24-045**  
 Center blade only  
 54x80 mm



**ENT-24-046 - ENT-24-049**  
 BALFOUR

Spreader only	ENT-24-046	ENT-24-047	ENT-24-048	ENT-24-049
Lateral blades	50 mm	60 mm	75 mm	90 mm
Center blade	47 x 80 mm	62x76 mm	80x80 mm	80x80 mm



Sales Unit of blades: PR = pair

Lateral blades  
**ENT-24-050**  
 50 mm deep  
**ENT-24-051**  
 60 mm deep  
**ENT-24-052**  
 75 mm deep  
**ENT-24-053**  
 90 mm deep

## Self-Retaining Retractors



**BOSE**  
**ENT-24-054**  
 60 mm



**FINSEN**  
**ENT-24-055**  
 50 mm



**FINSEN**  
**ENT-24-056**  
 70 mm



**FINSEN modif.**  
**ENT-24-057**  
 75 mm



**ENT-24-058**  
 45 mm



**ENT-24-059**  
 55 mm



**MUELLER**  
**ENT-24-060**  
 65 mm



**ALM**  
**ENT-24-061** 7 cm  
**ENT-24-062** 10 cm



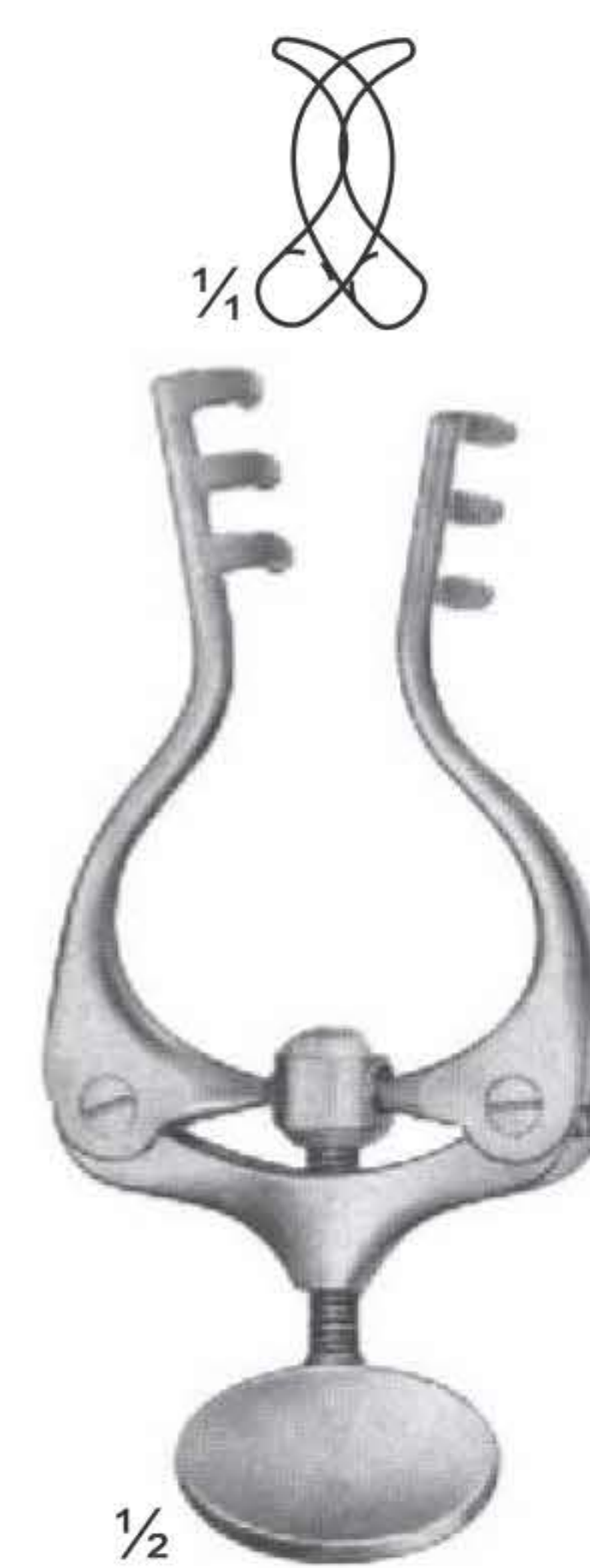
**ENT-24-061**



**ENT-24-062**



**JANSEN**  
**ENT-24-063**  
 100 mm



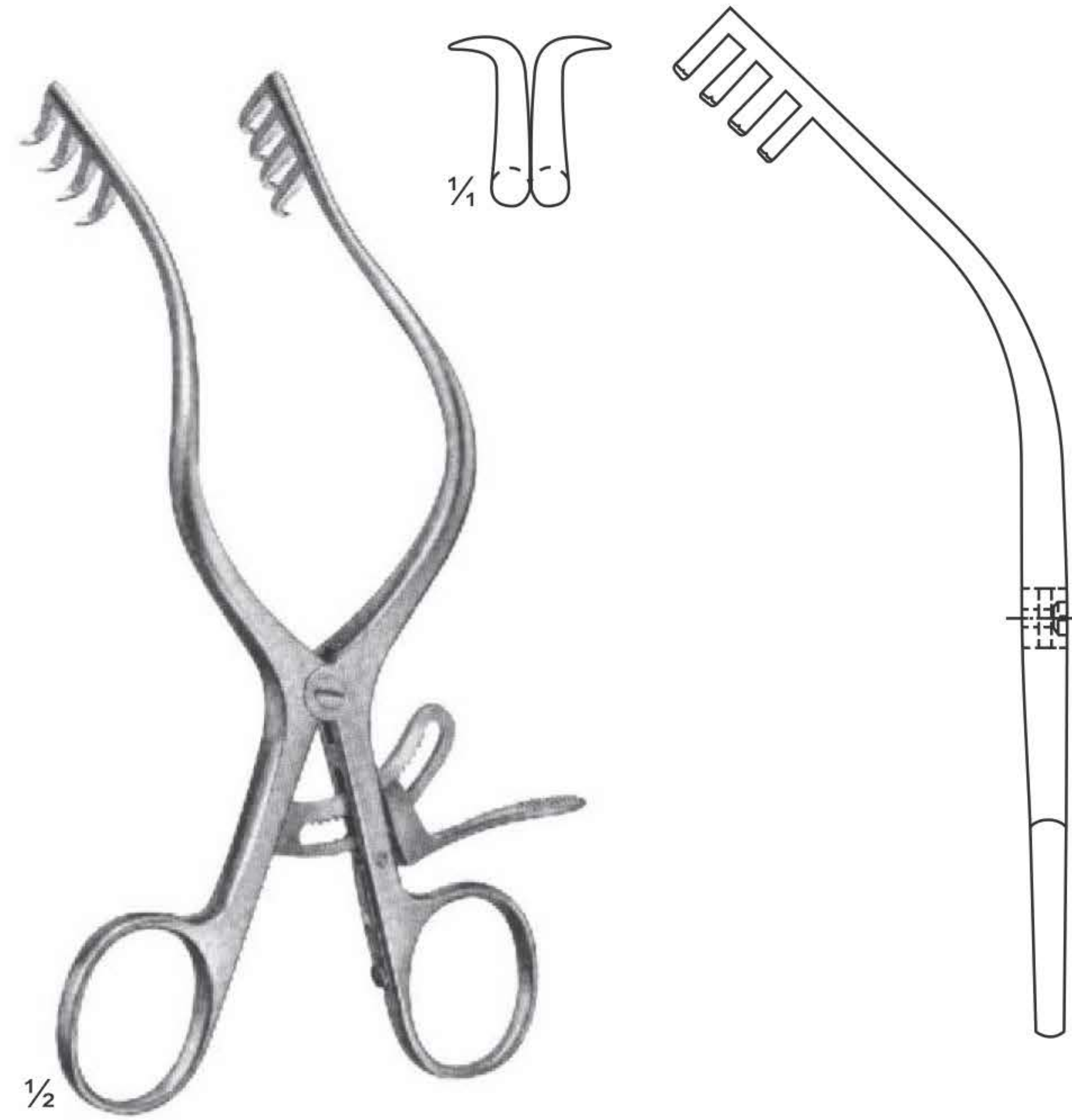
**JANSEN**  
**ENT-24-064**  
 100 mm

**Self-Retaining Retractors**



1/2

ADSON-BABY  
 Blunt  
 ENT-24-065  
 14 cm



1/2

MOLLISON  
 Sharp  
 ENT-24-066  
 15.5 cm



1/2

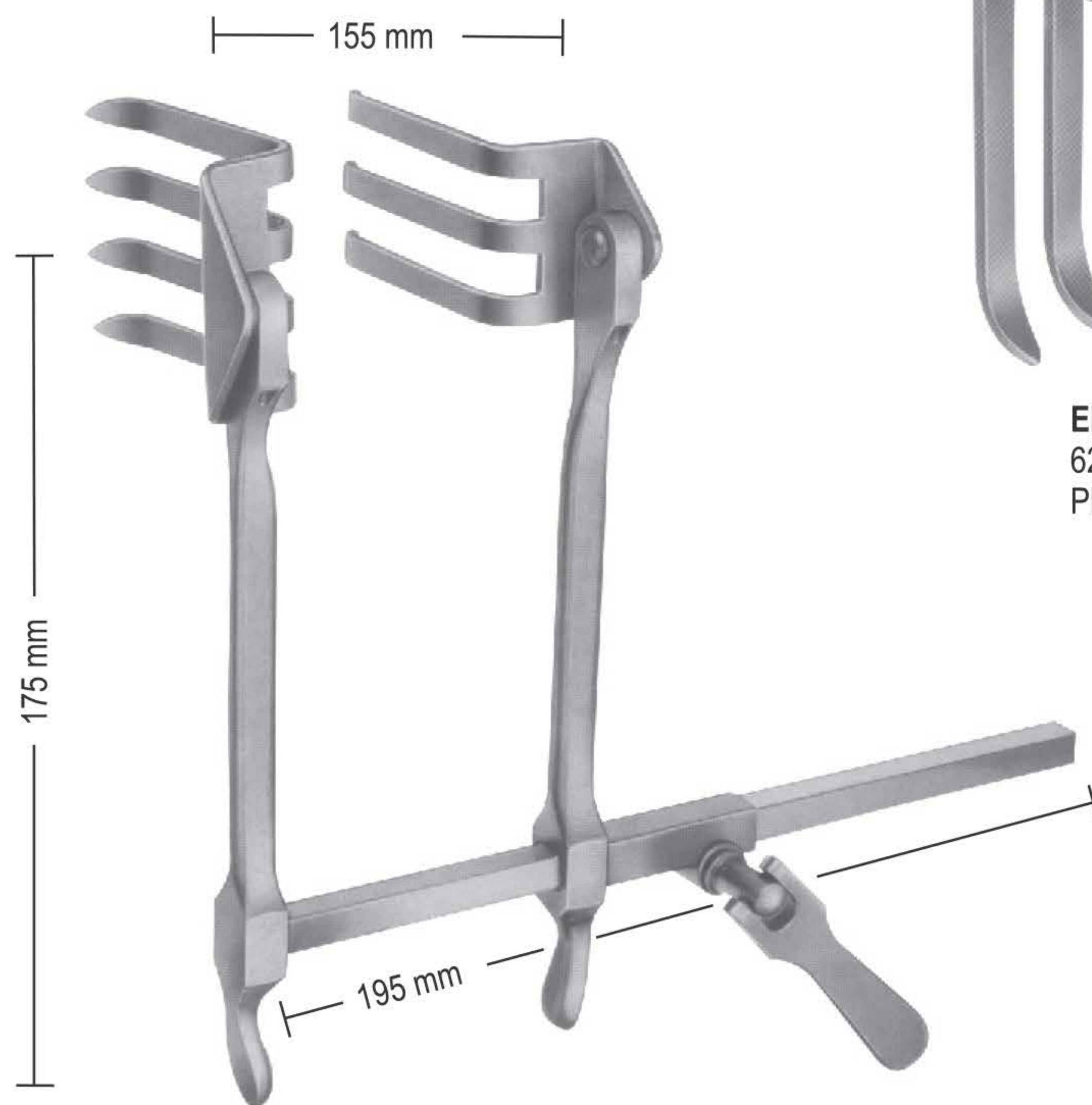
MAYO-ADAMS  
 ENT-24-067  
 16.5 cm



1/2

TRAVERS  
 ENT-24-068  
 21.5 cm

## Self-Retaining Retractors



**ENT-24-069 - ENT-24-072**  
 SCOVILLE-RICHTER  
 Retractor with 1 pair  
 blades reversible type.  
 The Retractor bar and  
 shanks may be easily  
 rotated 180 when  
 blades are in situ.



**ENT-24-069**  
 62 x 52 mm    62 x 37 mm  
 PR= Pair



**ENT-24-070**  
 47 x 51 mm

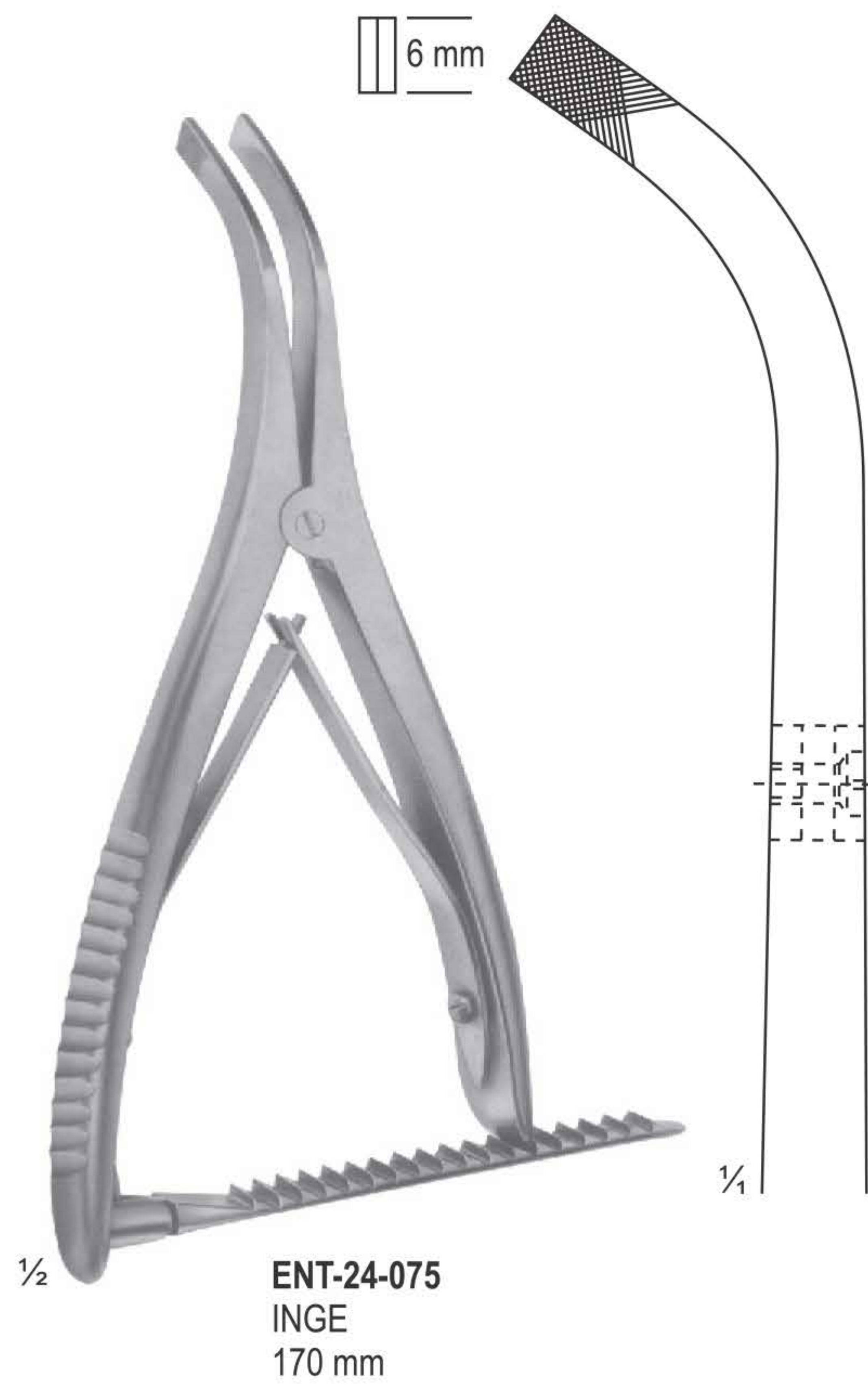
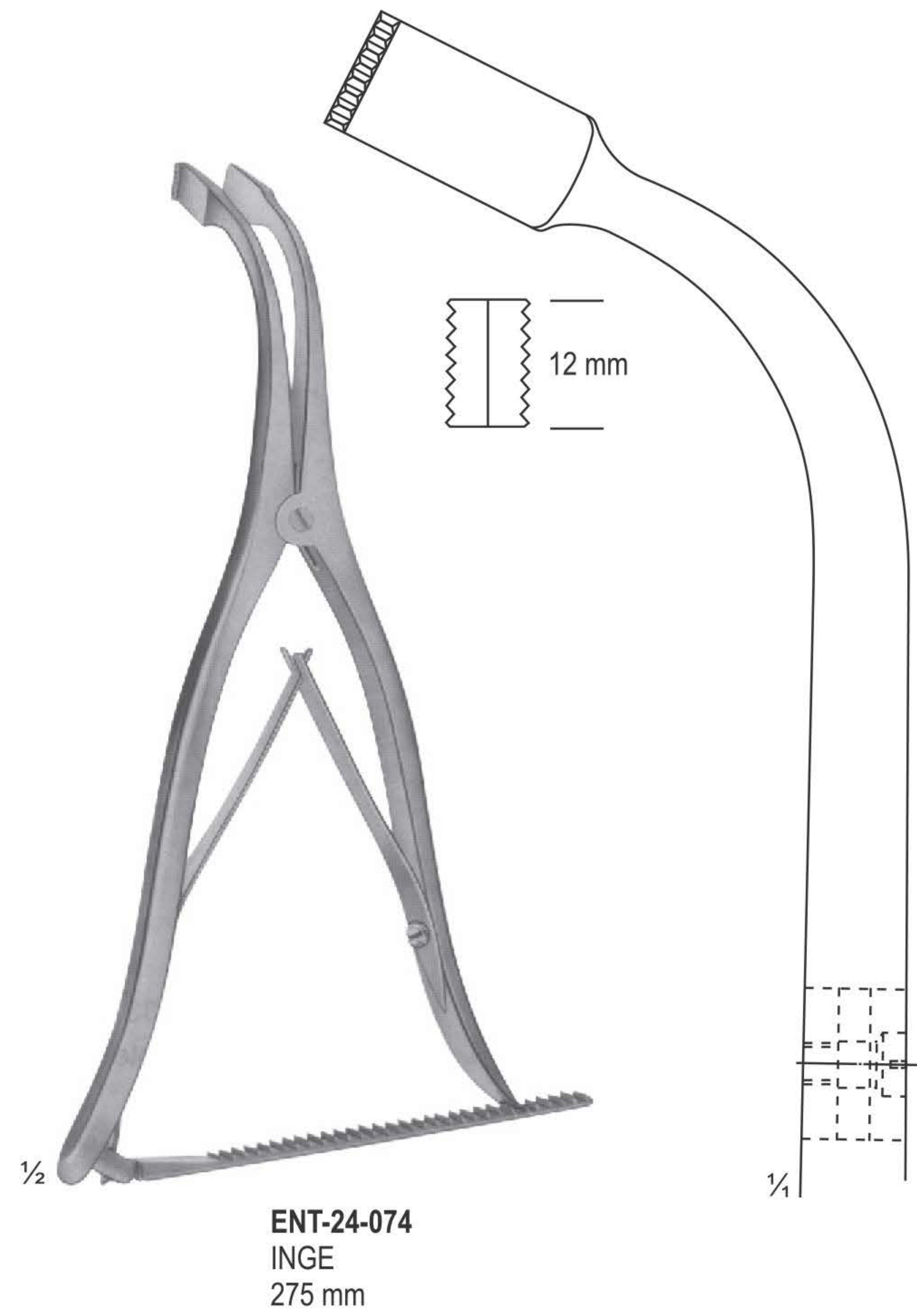
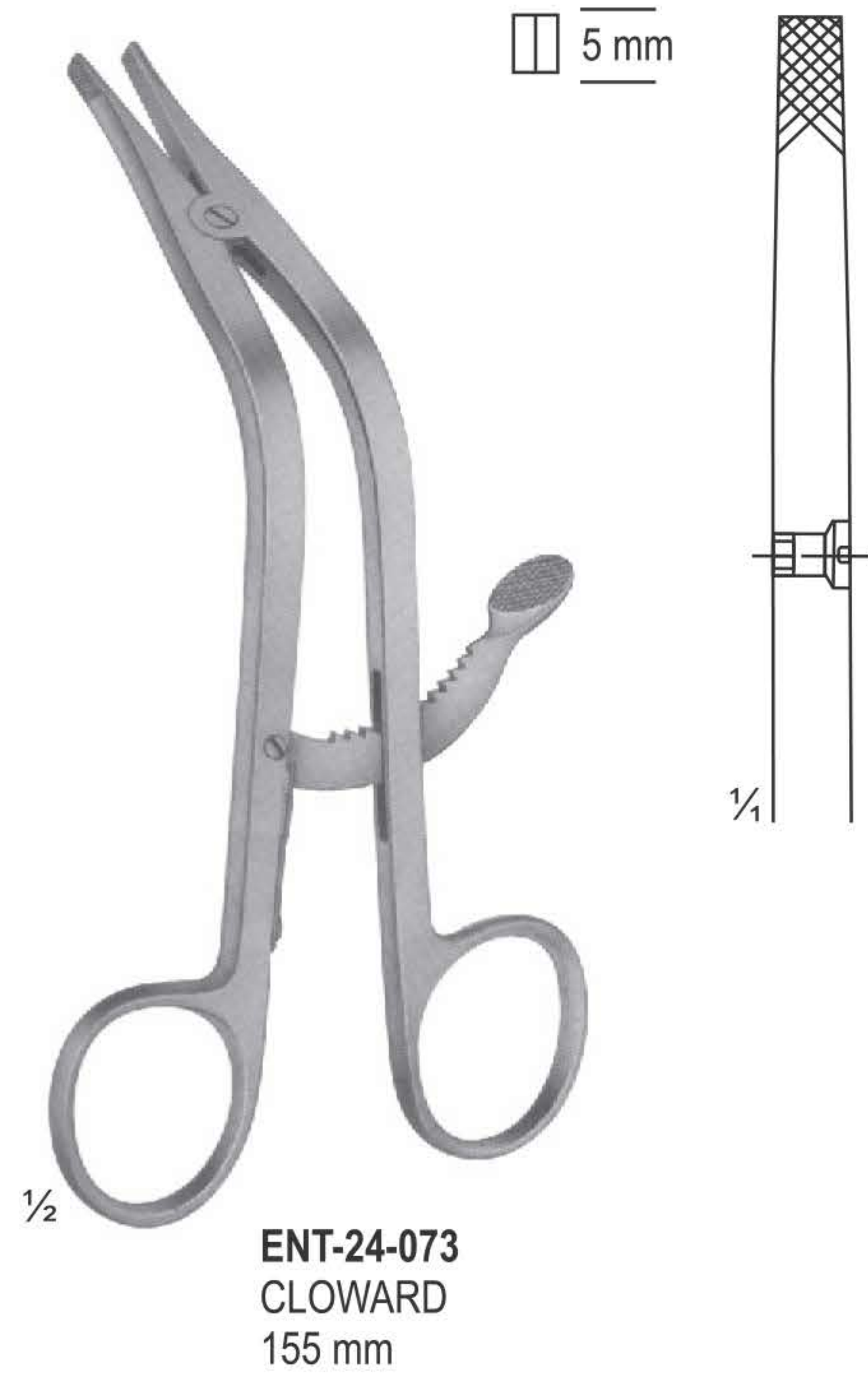


**ENT-24-071**  
 30 x 40 mm

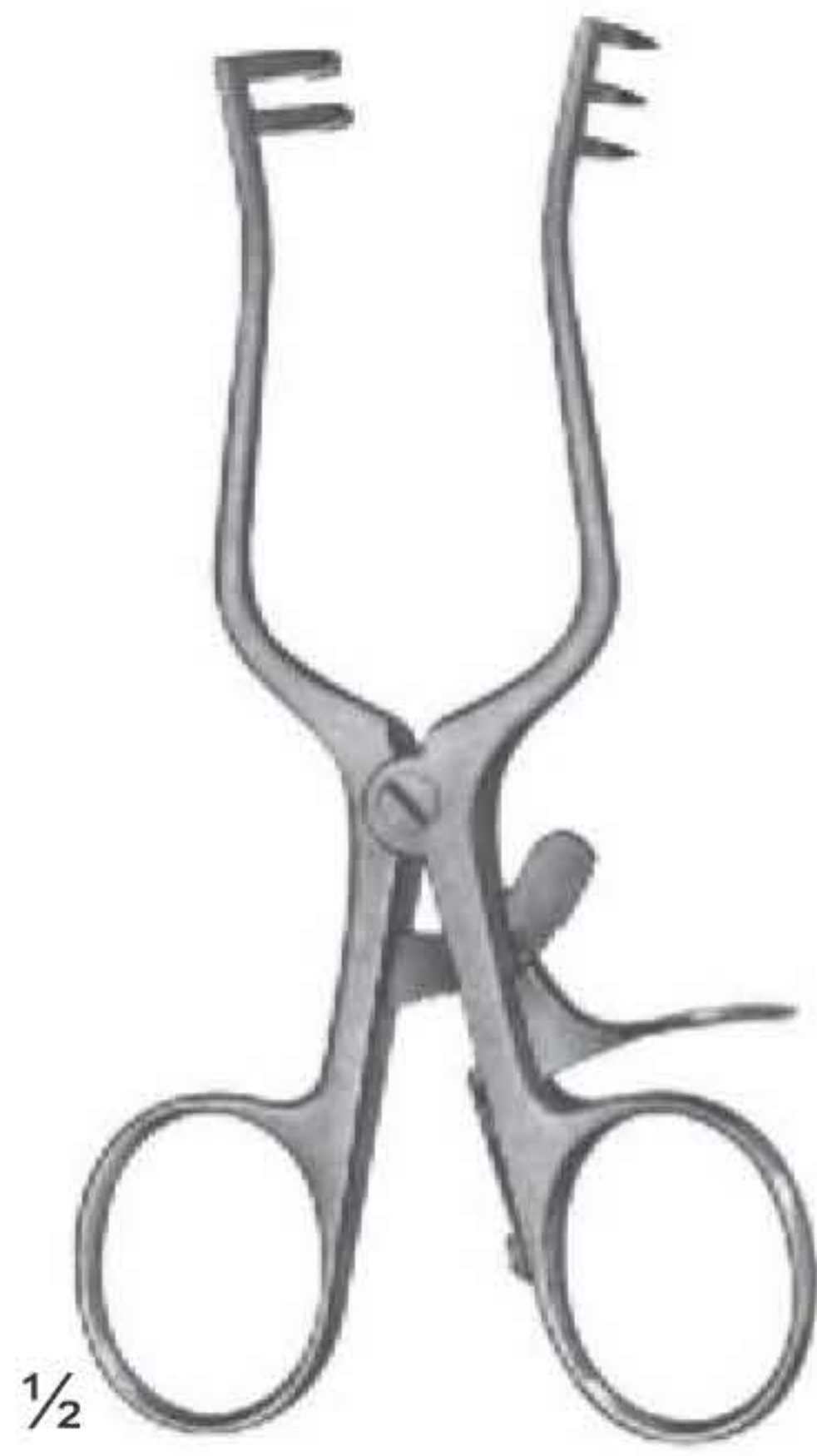


**ENT-24-072**  
 37 x 62 mm

**Self-Retaining Retractors**



**Self-Retaining Retractors**



WEITLANER  
 Sharp  
**ENT-24-076**  
 11 cm



WEITLANER  
 Semi-Sharp  
**ENT-24-077**  
 11 cm



WEITLANER  
 Blunt  
**ENT-24-078**  
 11 cm



WEITLANER  
 Sharp  
**ENT-24-079**  
 13 cm



WEITLANER  
 Semi-Sharp  
**ENT-24-080**  
 13 cm



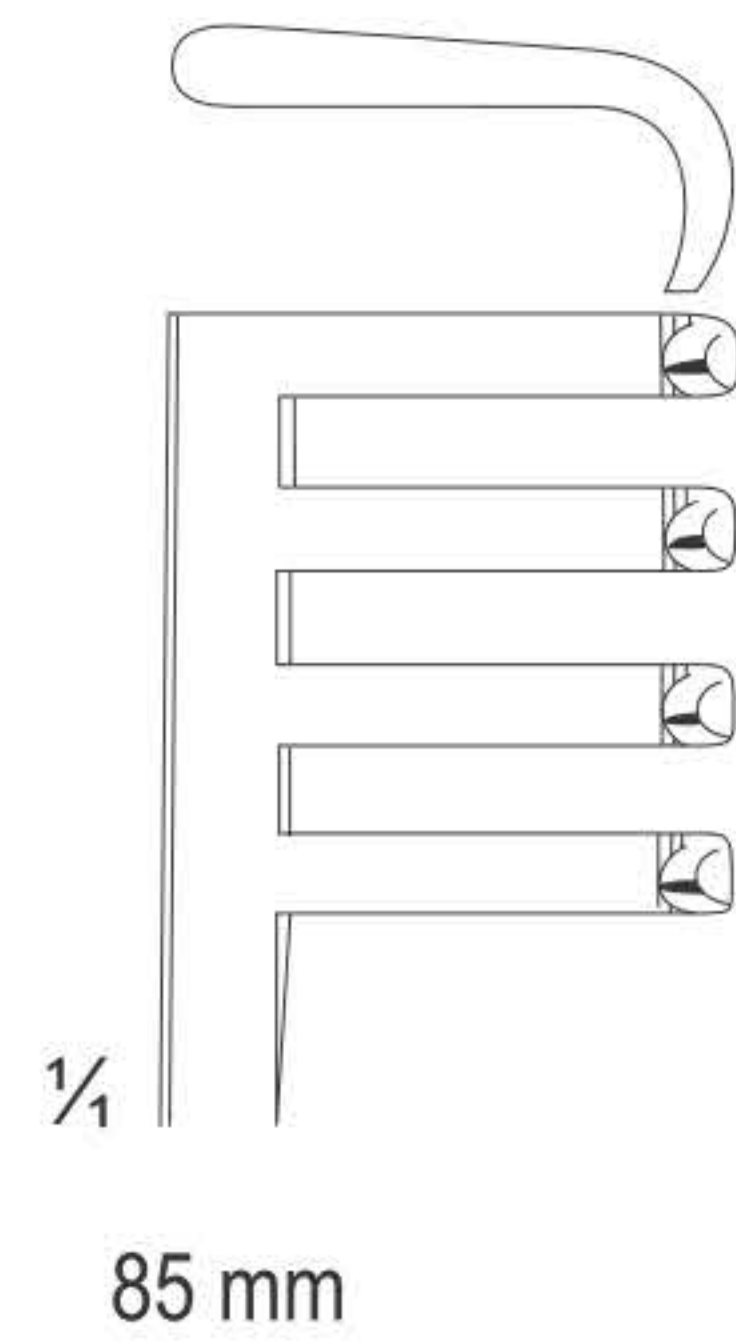
WEITLANER  
 Blunt  
**ENT-24-081**  
 13 cm

## Self-Retaining Retractors



1/2

**HENLEY**  
Complete with 3 Central Baldes  
**ENT-24-082 - ENT-24-084**  
16.5 cm



85 mm



Blades  
**ENT-24-082**  
19 X 17 mm



Blades  
**ENT-24-083**  
25 X 17 mm



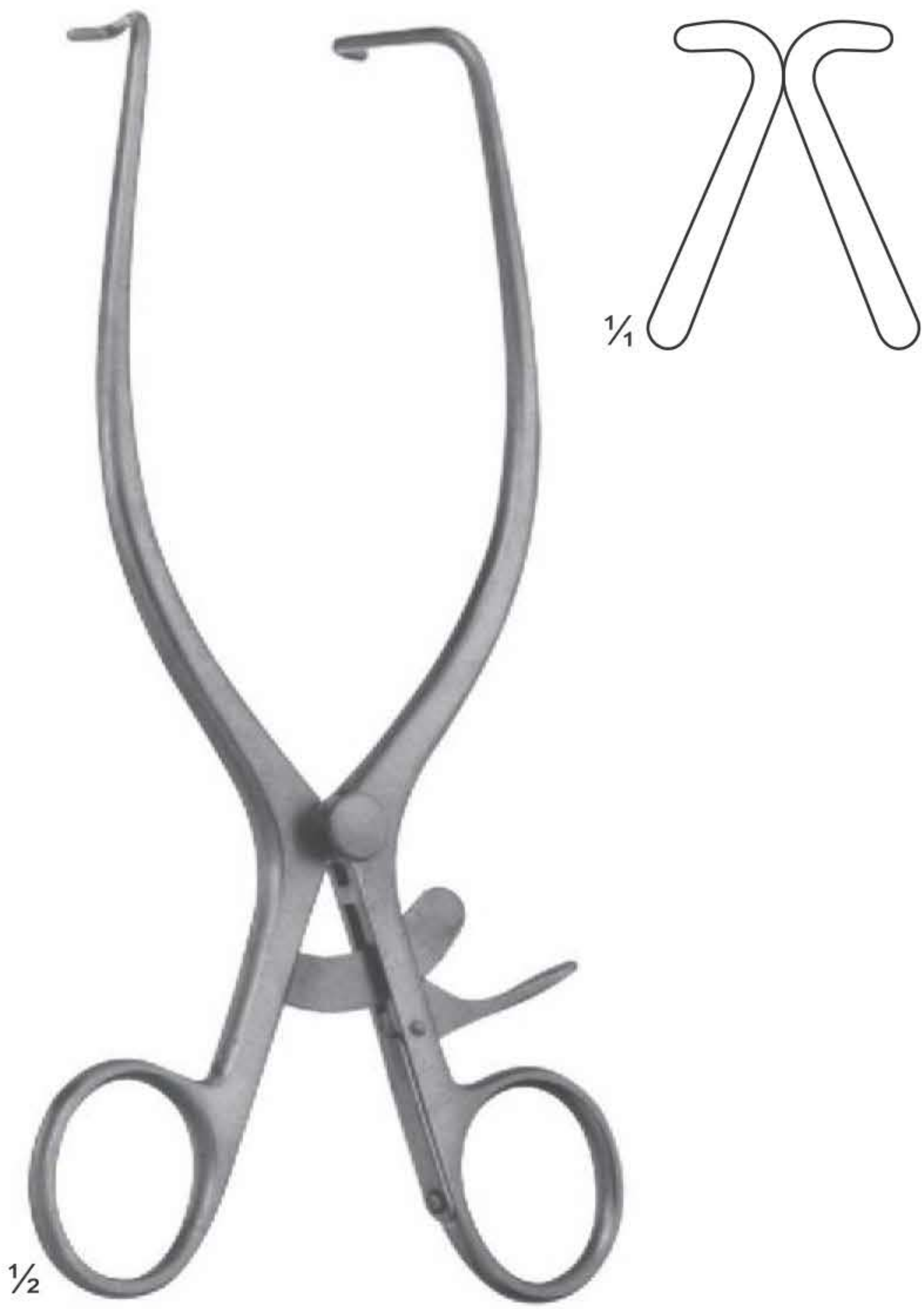
Blades  
**ENT-24-084**  
32 X 17 mm

**Self-Retaining Retractors**



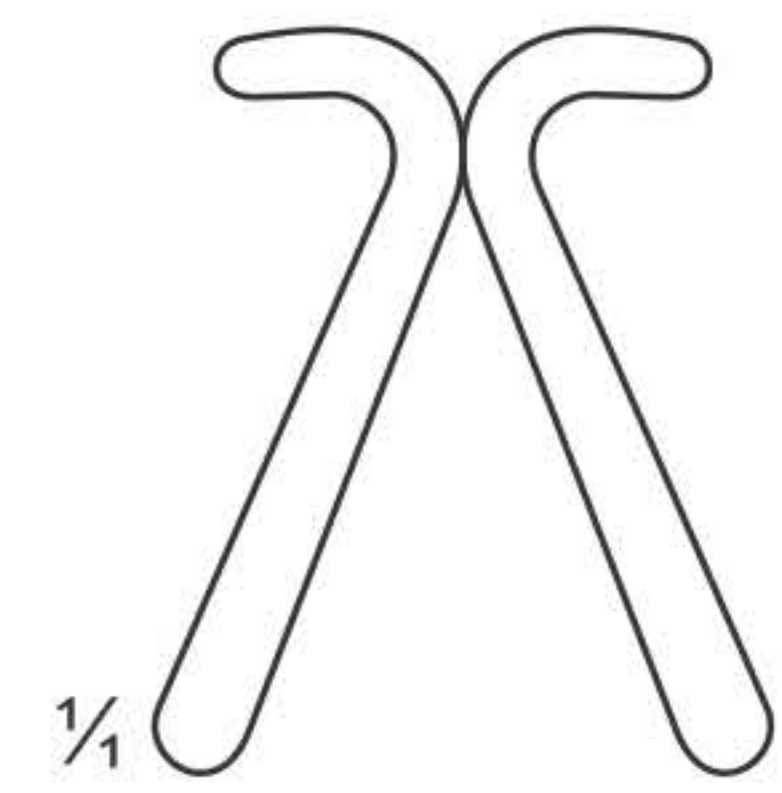
1/2

JOLL ( FRIEDMAN )  
**ENT-24-085**  
 Thyroid and Vaginal Retractor  
 15.5 cm

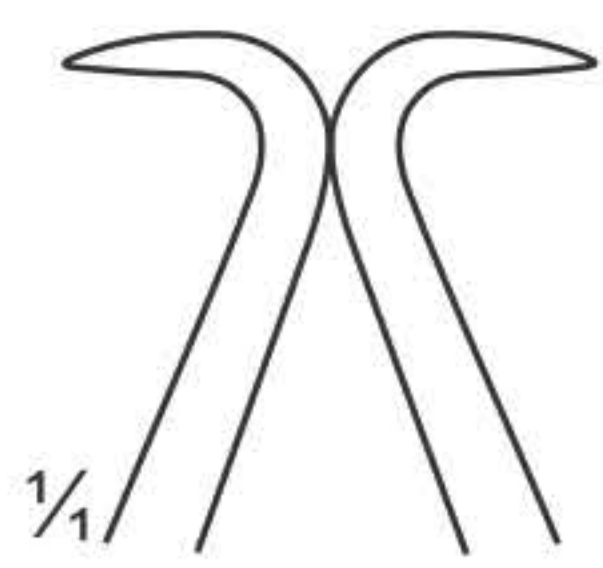


1/2

JACKSON BURROWS  
**ENT-24-086**  
 Retractor, blunt  
 18.5 cm



1/4

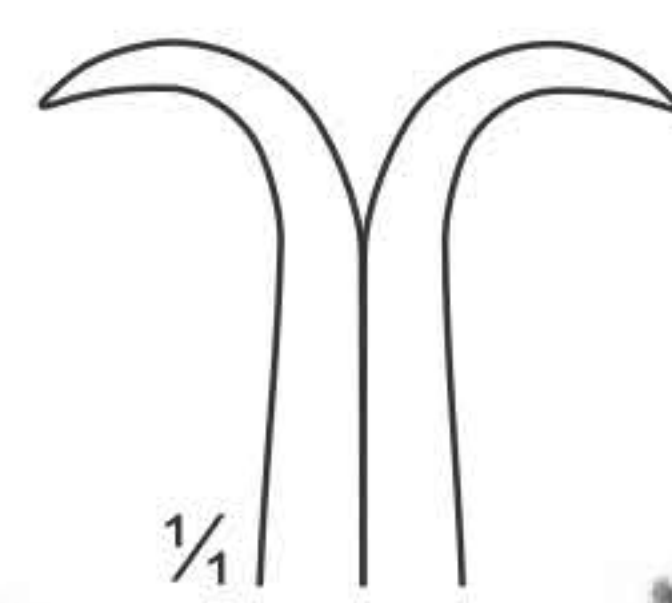


1/4



1/2

GELPI  
**ENT-24-087**  
 13.5 cm

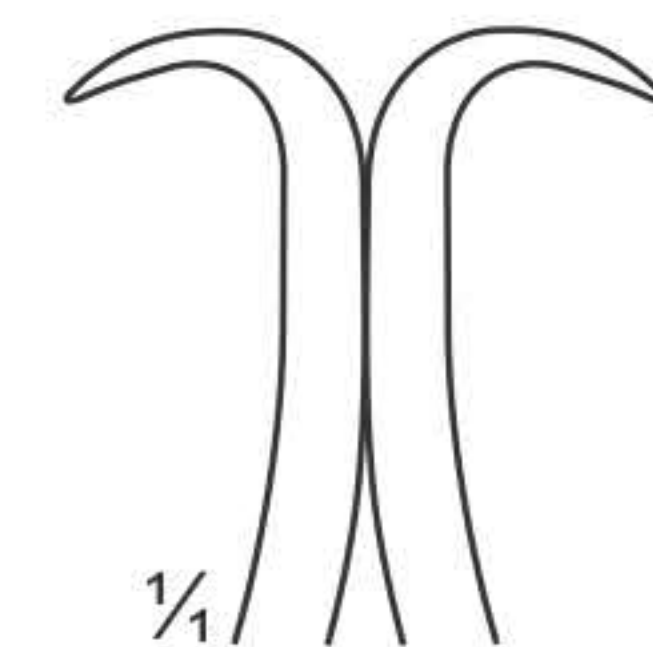


1/4



1/2

GELPI  
**ENT-24-088**  
 17.5 cm



1/4



1/2

DE BAKEY  
**ENT-24-089**  
 14.5 cm

## Abdominal Retractors



O'SULLIVAN-O'CONNOR  
 ENT-24-090 - ENT-24-092



Blades for  
 Fig. 1 = ENT-24-090 45 X 17 mm  
 Fig. 2 = ENT-24-091 90 X 37 mm  
 Fig. 3 = ENT-24-092 90 X 45 mm

## Abdominal Retractors



CLOWARD modif.  
 Spreader Only  
 ENT-24-093 - ENT-24-102



16 mm  
 ENT-24-093



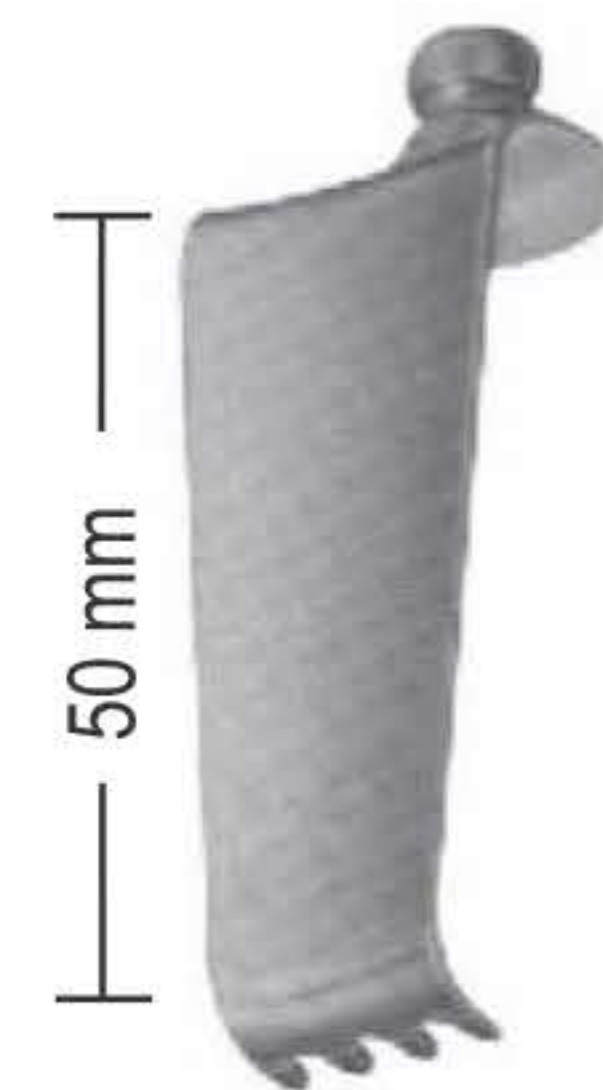
16 mm  
 ENT-24-094



16 mm  
 ENT-24-095



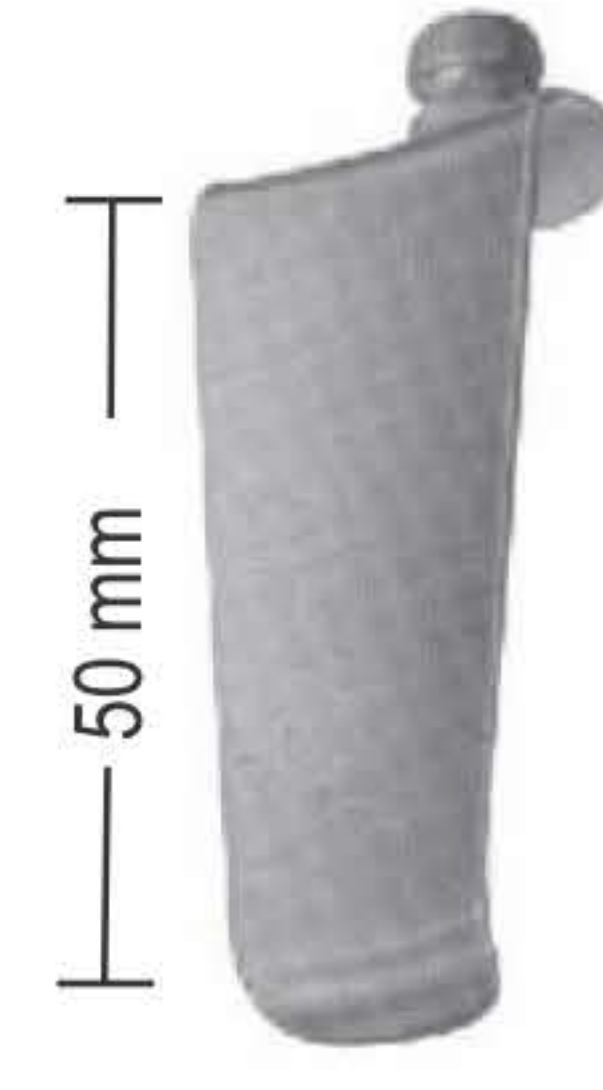
16 mm  
 ENT-24-096



16 mm  
 ENT-24-097



16 mm  
 ENT-24-098



16 mm  
 ENT-24-099



16 mm  
 ENT-24-100



16 mm  
 ENT-24-101



16 mm  
 ENT-24-102

## Abdominal Retractors



CLOWARD-TYPE  
**ENT-24-103**  
 25.5 cm  
 with ball snap closure Cervical Retractor  
 complete consisting of Retractor Body  
 25.5 cm, 110 mm spread (without blades)



**ENT-24-104 - ENT-24-108**  
**ENT-24-104** 15 x 40 mm  
**ENT-24-105** 15 x 45 mm  
**ENT-24-106** 15 x 50 mm  
**ENT-24-107** 15 x 55 mm  
**ENT-24-108** 15 x 60 mm  
 serrated



**ENT-24-109 - ENT-24-113**  
**ENT-24-109** 15 x 40 mm  
**ENT-24-110** 15 x 45 mm  
**ENT-24-111** 15 x 50 mm  
**ENT-24-112** 15 x 55 mm  
**ENT-24-113** 15 x 60 mm  
 Blunt

## Abdominal Retractors



**CONE**  
**ENT-24-114 - ENT-24-121**  
**ENT-24-114** 14 cm, 18 mm 3 x 4  
**ENT-24-115** 16 cm, 18 mm 3 x 4  
**ENT-24-116** 20 cm, 20 mm 3 x 4  
**ENT-24-117** 24 cm, 27 mm 3 x 4  
**ENT-24-118** 14 cm, 18 mm 3 x 4  
**ENT-24-119** 16 cm, 18 mm 3 x 4  
**ENT-24-120** 20 cm, 20 mm 3 x 4  
**ENT-24-121** 24 cm, 27 mm 3 x 4  
 prongs blunt



**MARKHAM-MEYERDING**  
**ENT-24-122**  
18 cm, 50 x 25 mm left  
Hemilaminectomy Retractor



**MARKHAM-MEYERDING**  
**ENT-24-123**  
18 cm, 50 x 25 mm right  
Hemilaminectomy Retractor

## Abdominal Retractors



### MINI-WEITLANER

**ENT-24-124 - ENT-24-125**

**ENT-24-124** 11 cm, 16 mm 2 x 3 prongs sharp

**ENT-24-125** 11 cm, 16 mm 2 x 3 prongs blunt



### WEITLANER

**ENT-24-126 - ENT-24-133**

**ENT-24-126** 13 cm, 18 mm 3 x 4 prongs sharp

**ENT-24-127** 16 cm, 18 mm 3 x 4 prongs sharp

**ENT-24-128** 20 cm, 21 mm 3 x 4 prongs sharp

**ENT-24-129** 25 cm, 27 mm 3 x 4 prongs sharp

**ENT-24-130** 13 cm, 18 mm 3 x 4 prongs blunt

**ENT-24-131** 16 cm, 18 mm 3 x 4 prongs blunt

**ENT-24-132** 20 cm, 21 mm 3 x 4 prongs blunt

**ENT-24-133** 25 cm, 27 mm 3 x 4 prongs blunt



### ANDERSON-ADSON

Cerebellar Retractor

**ENT-24-134** 20 cm 4 x 4 prongs sharp

## Abdominal Retractors



**WEITLANER**  
**ENT-24-135 - ENT-24-136**  
**ENT-24-135** 26 cm, 27 mm 5 x 6 prongs sharp  
**ENT-24-136** 26 cm, 27 mm 5 x 6 prongs blunt



**HEMILAMINECTOMY**  
**ENT-24-137 - ENT-24-138**  
**ENT-24-137** 29 cm, 42 mm 6 x 6 prongs sharp  
**ENT-24-138** 29 cm, 42 mm 6 x 6 prongs blunt



**ENT-24-139 - ENT-24-142**  
 Right blade 42 mm, left blade 22 mm deep  
**ENT-24-139** 29 cm, 22/42 mm 6 x 6 prongs sharp  
**ENT-24-140** 29 cm, 22/42 mm 6 x 6 prongs blunt  
 Right blade 22 mm, left blade 42 mm deep  
**ENT-24-141** 29 cm, 22/42 mm 6 x 6 prongs sharp  
**ENT-24-142** 29 cm, 22/42 mm 6 x 6 prongs blunt

## Abdominal Retractors



### SCALP CONTOUR

#### ENT-24-143 - ENT-24-146

- ENT-24-143 14 cm, 18 mm 1 x 1 prongs blunt
- ENT-24-144 14 cm, 18 mm 3 x 3 prongs blunt
- ENT-24-145 14 cm, 18 mm 3 x 4 prongs sharp
- ENT-24-146 14 cm, 18 mm 3 x 4 prongs blunt



### BECKMANN-ADSON

#### ENT-24-147 - ENT-24-152

- ENT-24-147 31 cm, 25 mm 4 x 4 prongs sharp
- ENT-24-148 31 cm, 37 mm 4 x 4 prongs sharp
- ENT-24-149 31 cm, 48 mm 4 x 4 prongs sharp
- ENT-24-150 31 cm, 25 mm 4 x 4 prongs blunt
- ENT-24-151 31 cm, 37 mm 4 x 4 prongs blunt
- ENT-24-152 31 cm, 48 mm 4 x 4 prongs blunt

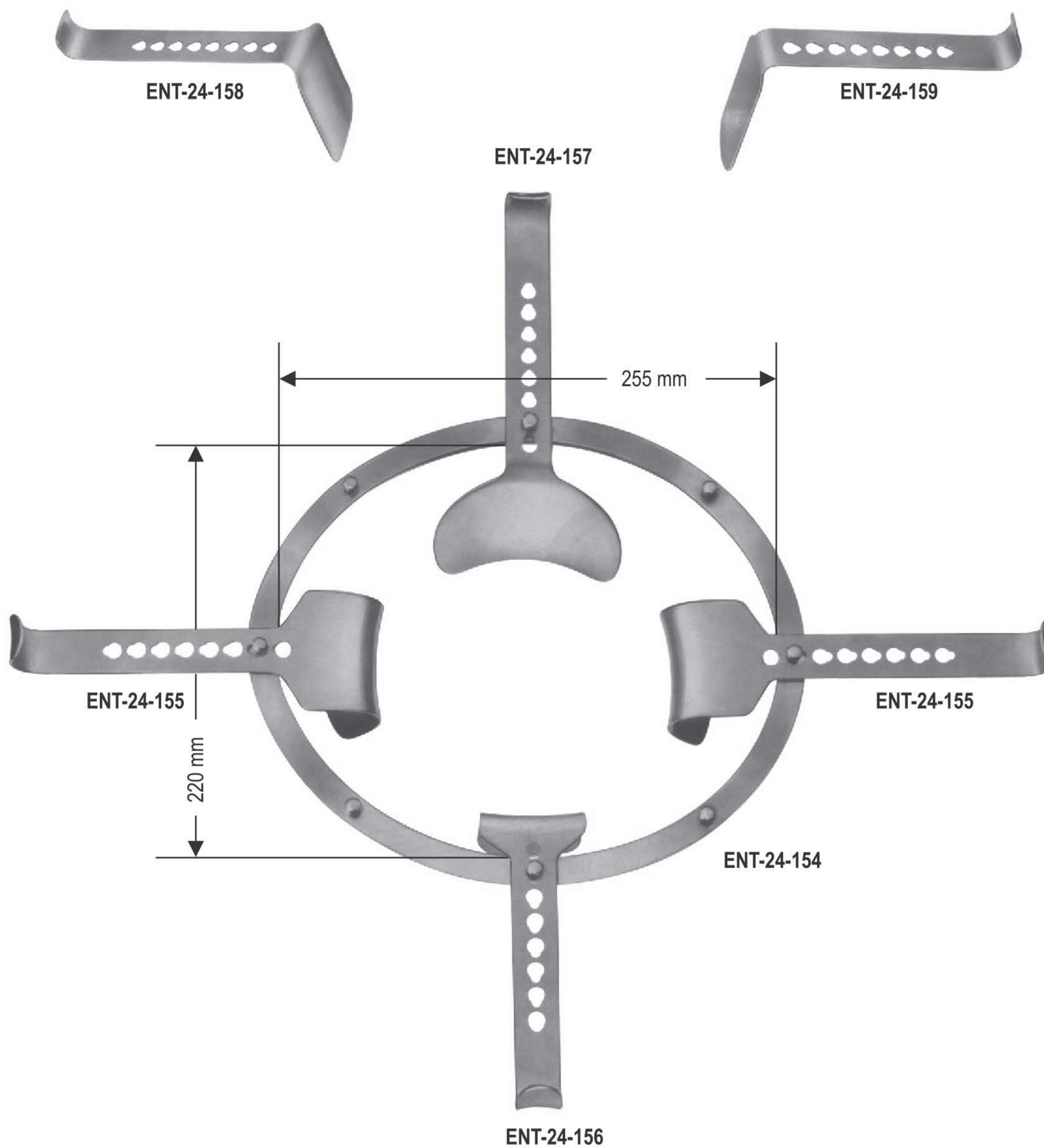


### BECKMANN-EATON

#### ENT-24-153

- 32 cm, 50 mm 7 x 7 prongs sharp

## Abdominal Retractors



### ENT-24-154 - ENT-24-159

SEMM

consisting of:

**ENT-24-154** 1 frame 225 x 220 mm

**ENT-24-155** 2 blades 46 x 64 mm

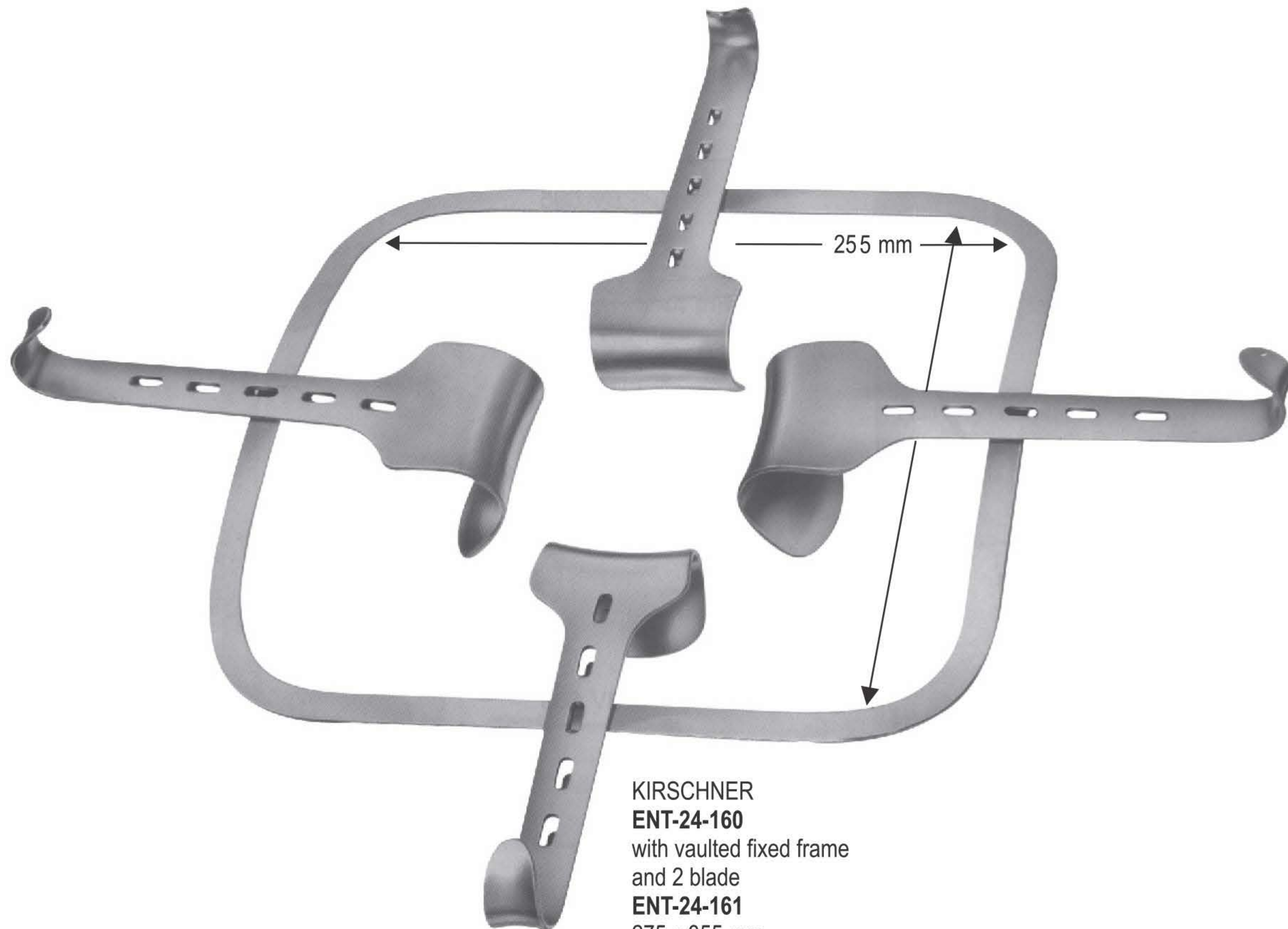
**ENT-24-156** 1 blade 53 x 54 mm  
(for bladder)

**ENT-24-157** 1 blade 82 x 97 mm  
(for intestine)

**ENT-24-158** 1 blade 98 x 51 mm  
(for intestine)

**ENT-24-159** 1 blade, narrow  
107 x 36 mm

## Abdominal Retractors



**KIRSCHNER**  
**ENT-24-160**  
 with vaulted fixed frame  
 and 2 blade  
**ENT-24-161**  
 275 x 355 mm  
 Frame only, over-sized  
**ENT-24-162**  
 295 x 275 mm  
 Frame only



**ENT-24-163**  
 KIRSCHNER  
 64 x 80 mm



**ENT-24-164**  
 KIRSCHNER-BALFOUR  
 80x 82 mm



**ENT-24-165 - ENT-24-167**  
 KIRSCHNER  
**ENT-24-165** 90x 69mm  
**ENT-24-166** 92x 95mm  
**ENT-24-167** 78x 58mm



**ENT-24-168 - ENT-24-170**  
 KIRSCHNER  
**ENT-24-168** 108x42mm  
**ENT-24-169** 91x 55mm  
**ENT-24-170** 121x 55mm



A Fine Instruments Manufactures Company

Al muslim street islam nagar Sialkot - 51340 Pakistan

Phone : +92-52-4352088

Mobile : +92-333-8720804

Email : [info@endotech.com.pk](mailto:info@endotech.com.pk)

Web: [www.endotech.com.pk](http://www.endotech.com.pk)